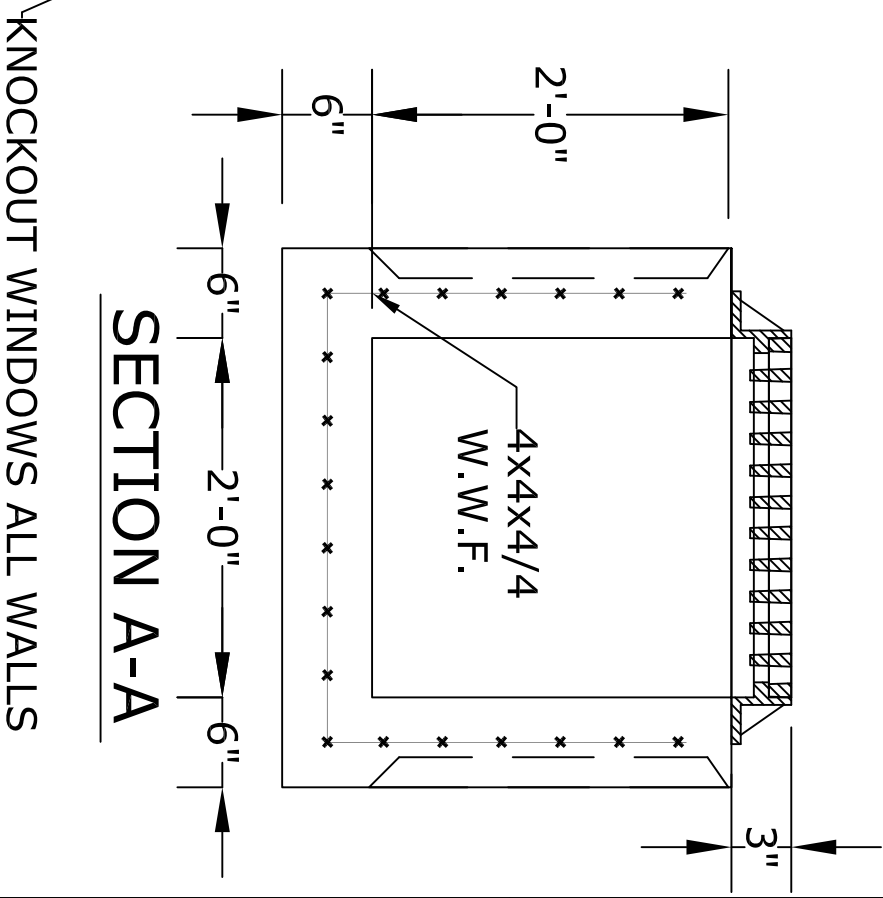


PLAN VIEW



SECTION A-A

KNOCKOUT WINDOWS ALL WALLS

NOTES

1. CONCRETE- 4000psi, AIR ENTRAINED
2. REINFORCING STEEL- GRADE 60, ASTM A-615
3. WELDED WIRE FABRIC- ASTM A-185
4. FRAME AND COVER- SEE ACCOMPANYING SPEC. SHEET

ALTOMARE PRECAST, INC.
 4300 Wissahickon Ave.
 Philadelphia, PA 19129
 Ph: 215-225-8800 Fax: 215-225-8900

TITLE:
 2' x 2' Area Drain
 W/ Knockout Panels

PROJECT:
CONTR:
DATE: