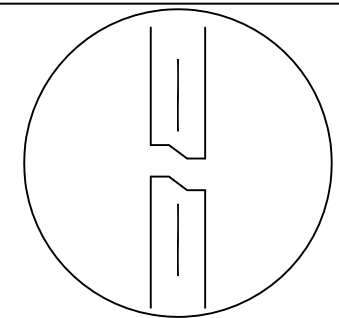
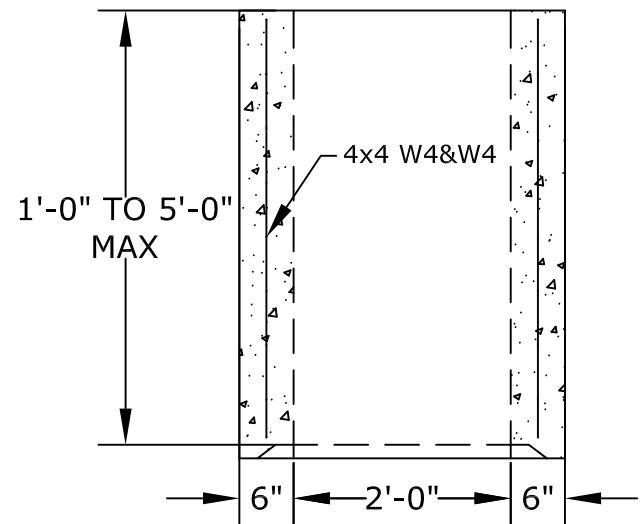


PLAN VIEW

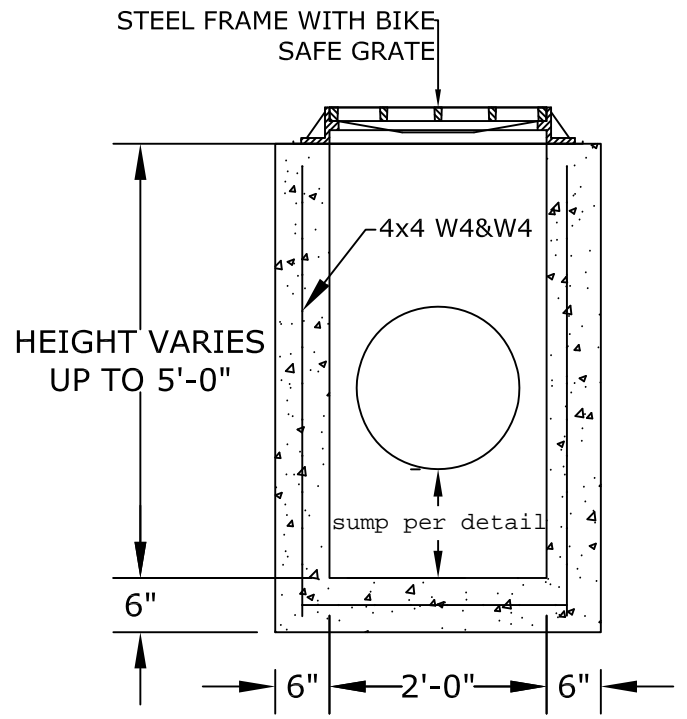


**JOINT DETAIL
(WHEN NEEDED)**



RISER, SECTION A-A

(TOP JOINT MAY BE PRESENT)



BOX, SECTION A-A

NOTES

1. CONCRETE- 4000 psi, AIR ENTRAINED
2. -----INTENTIONALLY BLANK-----
3. WELDED WIRE FABRIC- 4X4 W4&W4, ASTM-A185
4. LADDER RUNGS- COPOLYMER POLYPROPYLENE
PLASTIC w/1/2" REBAR, GRADE 60 WHEN NEEDED
5. CONFORMS TO PENNDOT PUBLICATION 408, 72, RC-34
6. LOCATIONS OF PIPE OPENINGS AS REQUIRED
7. SUMP AREA 1'-0" DEEP, INCLUDES 3" CIRCULAR HOLE
8. ALL MATERIAL USED MADE IN THE USA

PROJECT:
CONTR:
DATE:

TITLE:

**24" X 24"
AREA DRAIN**

ALTOMARE PRECAST, INC.
4300 Wissahickon Ave.
Philadelphia, PA 19129
Ph: 215-225-8800 Fax: 215-225-8900