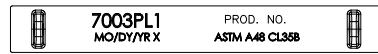
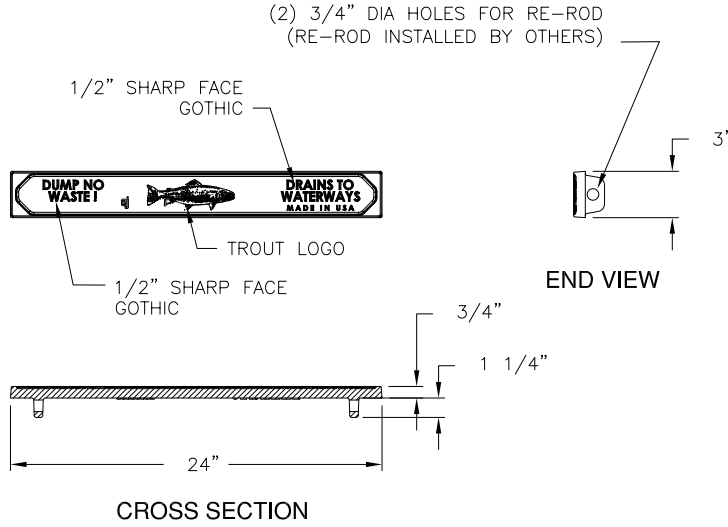


3" X 24" Fish Logo Plate Dump No Waste M

0PA700100002



7003PL1 Drainage Marker



BOTTOM VIEW



Product Number

00700360

Design Features

- Materials
-Gray Iron (CL35B)
- Design Load
-Heavy Duty
- Open Area
-n/a
- Coating
-Dipped
- √ Designates Machined Surface

Certification

- ASTM A48
-
- Country of Origin:USA

Drawing Revision

06/27/2006 Designer: DEW
7/6/2015 Revised By:DAE

Disclaimer

Weights (lbs/kg), dimensions (inches/mm) and drawings provided for your guidance. We reserve the right to modify specifications without prior notice.
CONFIDENTIAL: This drawing is the property of EJ GROUP, Inc., and embodies confidential information, registered marks, patents, trade secret information, and/or know how that is the property of EJ GROUP, Inc. Copyright © 2012 EJ GROUP, Inc. All rights reserved.

Contact

800 626 4653
ejco.com

00700360

Quantity: 1

Disclaimer

Weight (lbs./kg), dimensions (inches/mm) and drawings provided for your guidance. We reserve the right to modify specifications without prior notices

CONFIDENTIAL: This drawing is the property of EJ GROUP, Inc., and embodies confidential information, registered marks, patents, trade secret information, and/or know how that is the property of EJ GROUP, Inc. Copyright © 2015 EJ GROUP, Inc. All rights reserved

Contact

800 626 4653
ejco.com