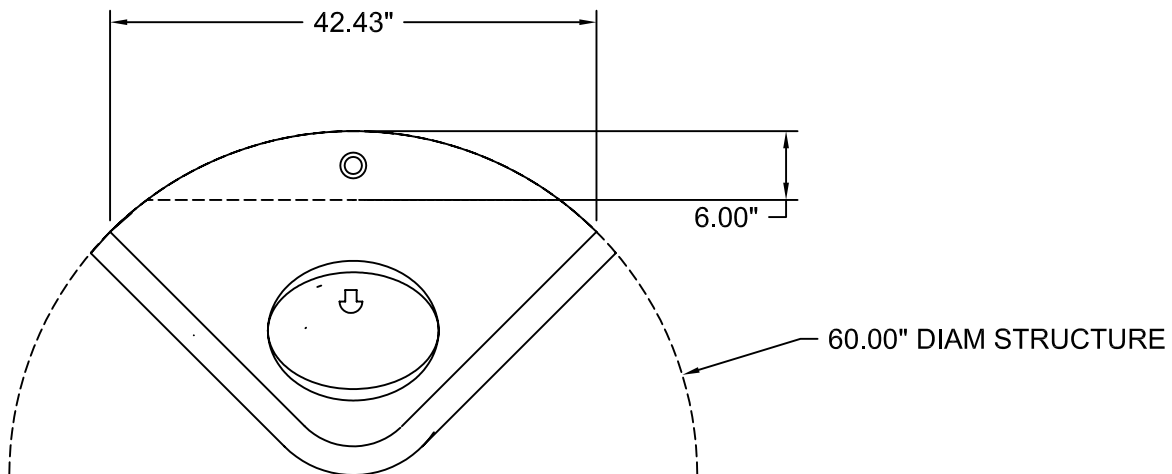


FRONT

SECTION



PLAN

U.S. PATENT 6126817 CANADA PATENT 2285146  
 ADDITIONAL PATENTS PENDING

**BMP, INC.**

53 MT. ARCHER ROAD, LYME, CT. 06371  
 (800) 504-8008 FAX: (860)434-3195

DESIGN NOTE: 42RTB/60 IS A 2-PIECE PART FOR  
 INSTALLATION IN A 60" DIAM. STRUCTURE ONLY

DESCRIPTION 42RTB/60 SNOUT OIL & DEBRIS STOP	DATE 03-01-10	SCALE NONE
	DRAWING NUMBER 42RTB/60	