

1" PVC ANTI-SIPHON
PIPE ADAPTER

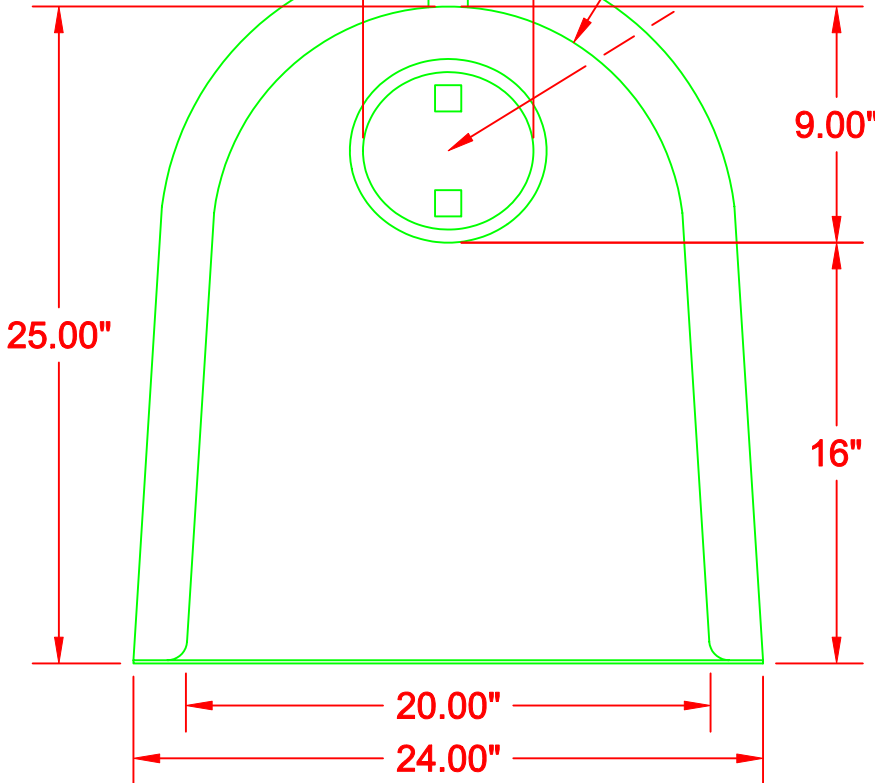
6.50"

Ø22.00"

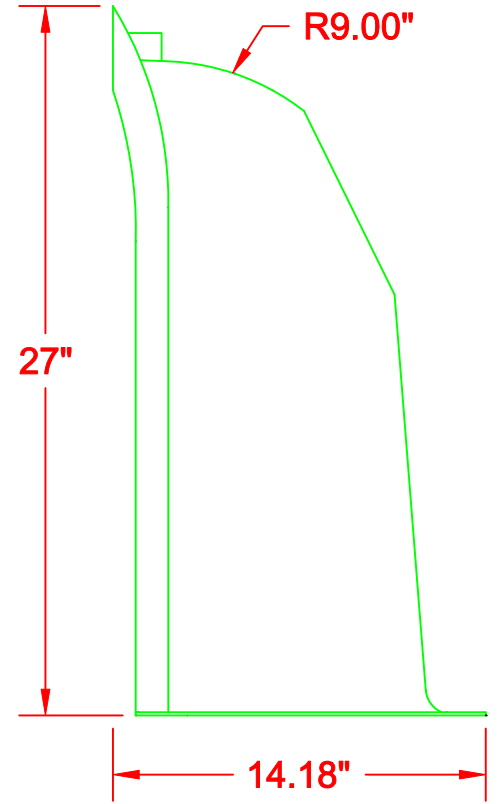
Ø18.00"

REMOVABLE WATERTIGHT
ACCESS PORT, 6" OPENING

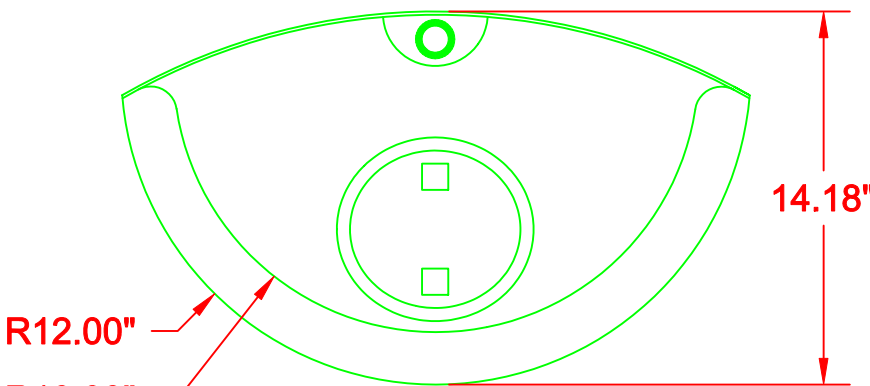
R9.00"



FRONT



SIDE



PLAN

DESIGNED TO FIT
48"-60" DIAM.
STRUCTURES

U.S. PATENT #6126817 ADDITIONAL PATENTS PENDING

BMP, INC.

53 MT. ARCHER ROAD, LYME, CT. 06371
(800) 504-8008 FAX: (860)434-3195

DESCRIPTION	DATE	SCALE
18R SNOUT OIL & DEBRIS STOP	09/06/99	NONE
DRAWING NUMBER		18R