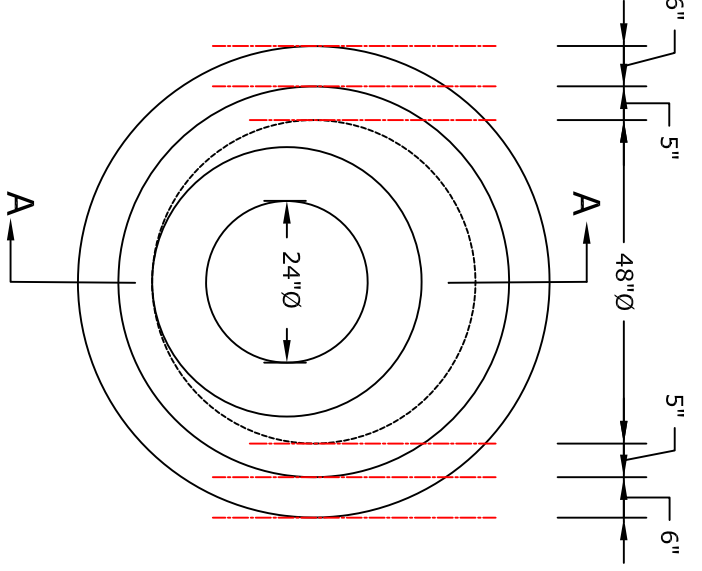
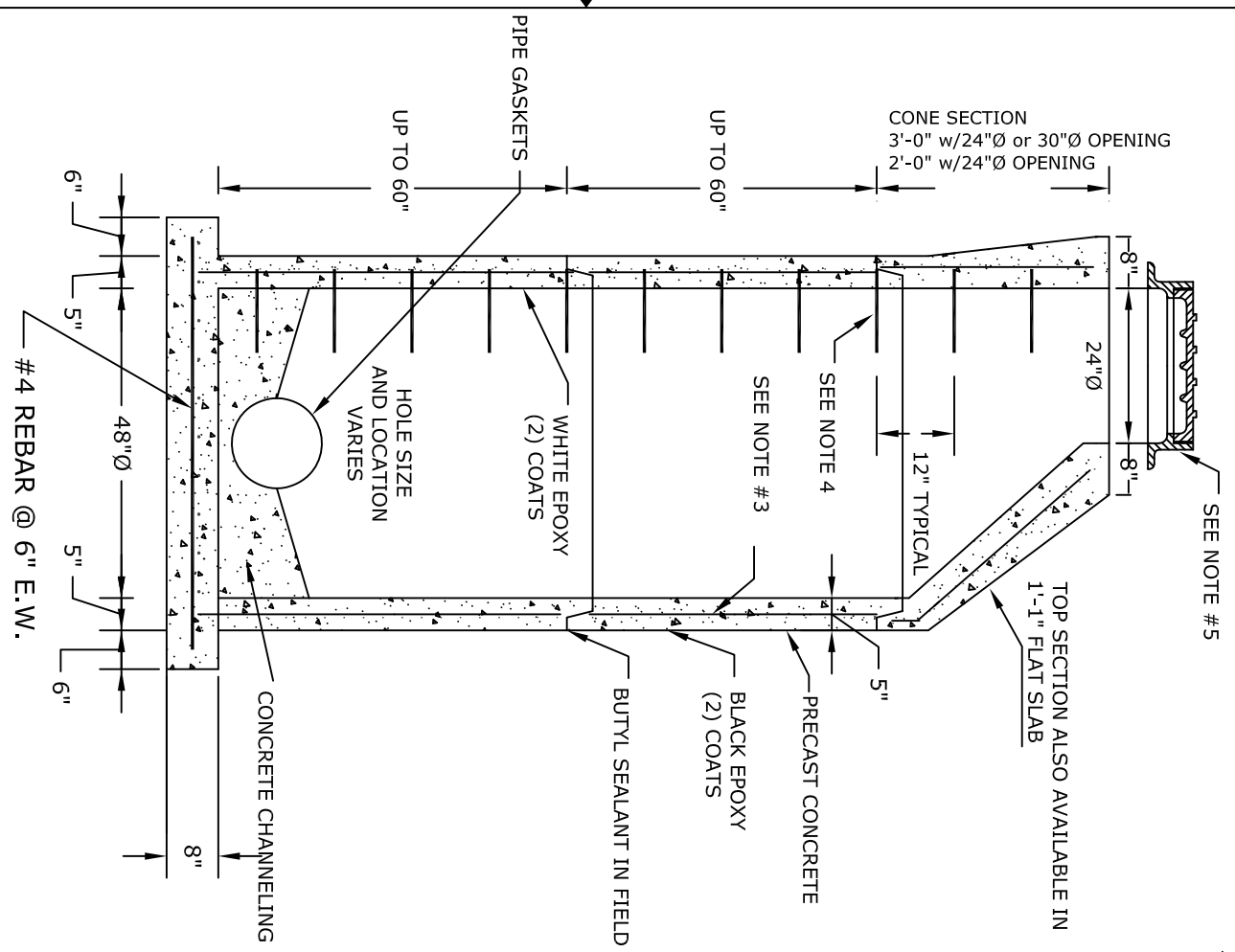


SECTION A-A



PLAN VIEW

NOTES

1. CONCRETE- 4000psi, AIR ENTRAINED
2. REINFORCING STEEL- GRADE 60, ASTM A-615
3. WELDED WIRE FABRIC- 3x12xw3/w2 ASTM A-185
4. LADDER RUNGS- COPOLYMER POLYPROPYLENE PLASTIC w/1/2" REBAR, GRADE 60
5. FRAME AND COVER- SEE ACCOMPANYING SPEC. SHEET
6. PER A.S.T.M. SPECIFICATION C-478
7. INTERIOR/EXTERIOR EPOXY COATING - SEE ACCOMPANYING SPEC SHEET

ALTOMARE PRECAST, INC.
 4300 Wissahickon Ave.
 Philadelphia, PA 19129
 Ph: 215-225-8800 Fax: 215-225-8900

TITLE:
**48"Ø SANITARY
 MANHOLE**