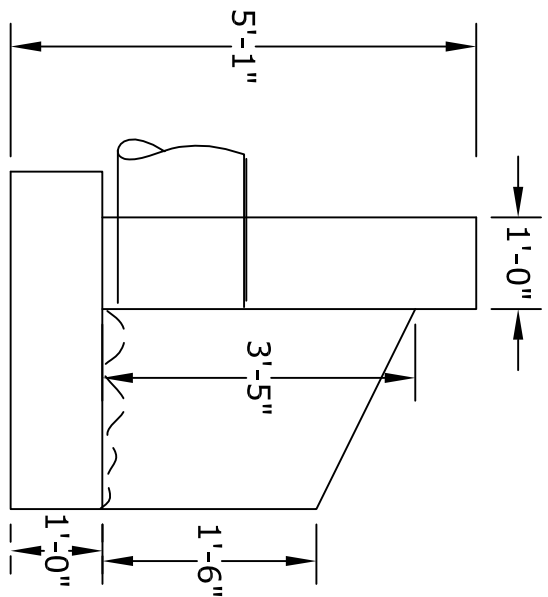
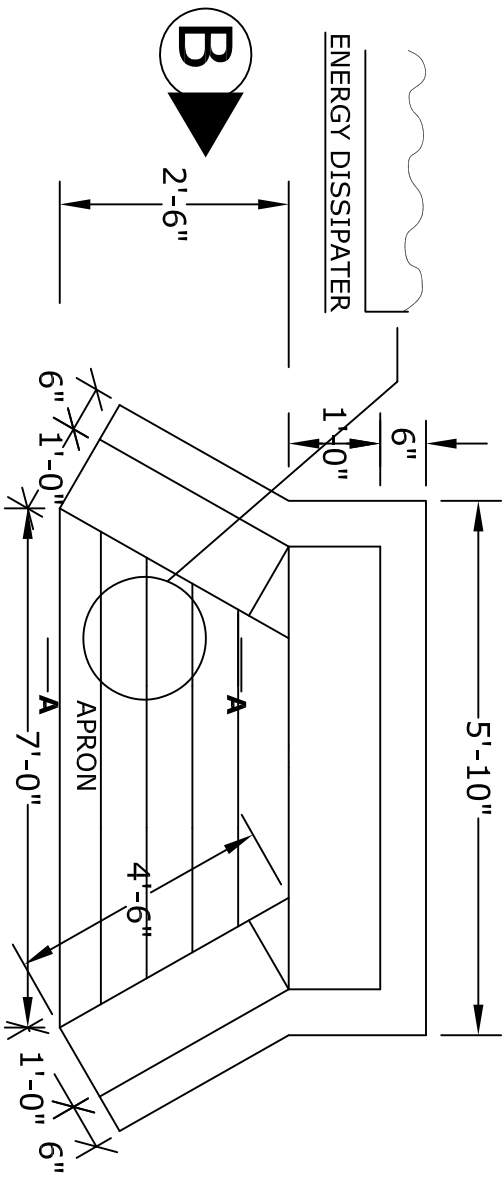


ELEVATION A-A



ELEVATION B-B



PLAN VIEW

NOTES

1. CONCRETE- 4000psi, AIR ENTRAINED
2. REINFORCING STEEL- GRADE 60, ASTM A-615

ALTOMARE PRECAST, INC.
 4300 Wissahickon Ave.
 Philadelphia, PA 19129
 Ph: 215-225-8800 Fax: 215-225-8900

D-W Endwall

PROJECT:

CONTR:

DATE: