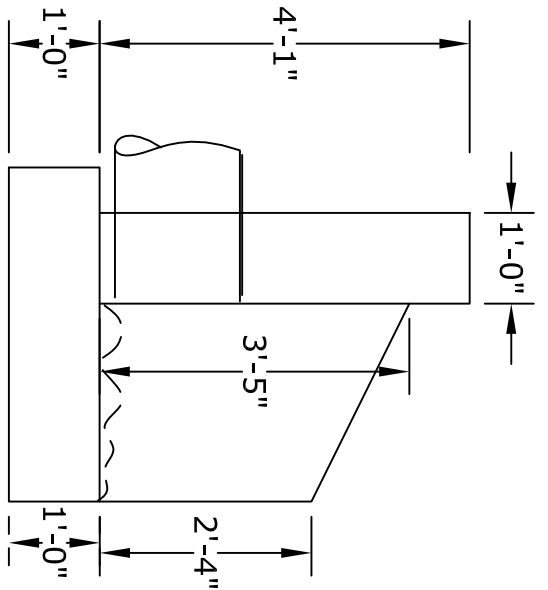
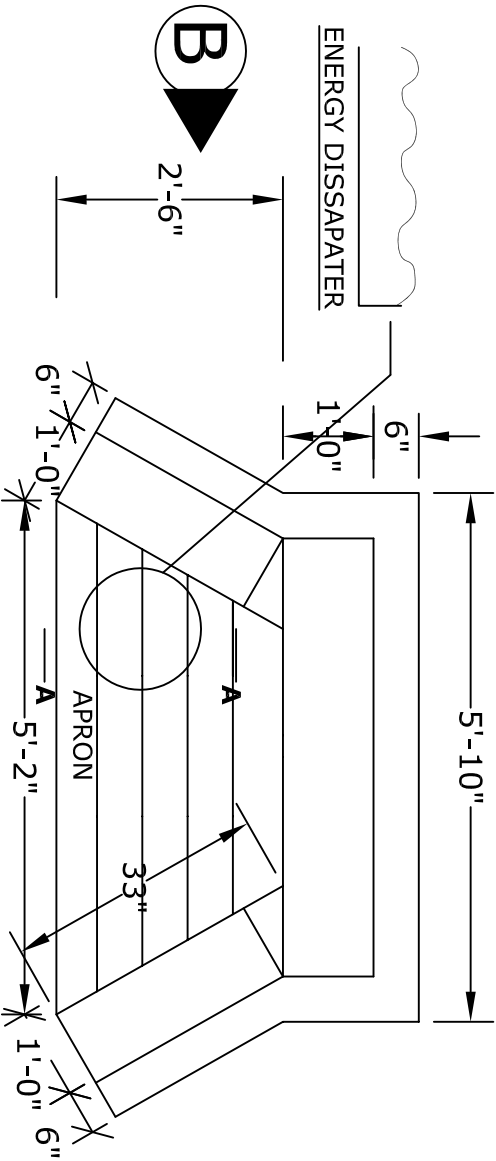


**ELEVATION A-A**



**ELEVATION B-B**



**PLAN VIEW**

**NOTES**

1. CONCRETE - 4000psi, AIR ENTRAINED
2. REINFORCING STEEL - GRADE 60, ASTM A-615

**ALTOMARE PRECAST, INC.**  
 4300 Wissahickon Ave.  
 Philadelphia, PA 19129  
 Ph: 215-225-8800 Fax: 215-225-8900

TITLE:  
**D-W Endwall  
 Medium**

PROJECT:

CONTR:

DATE: