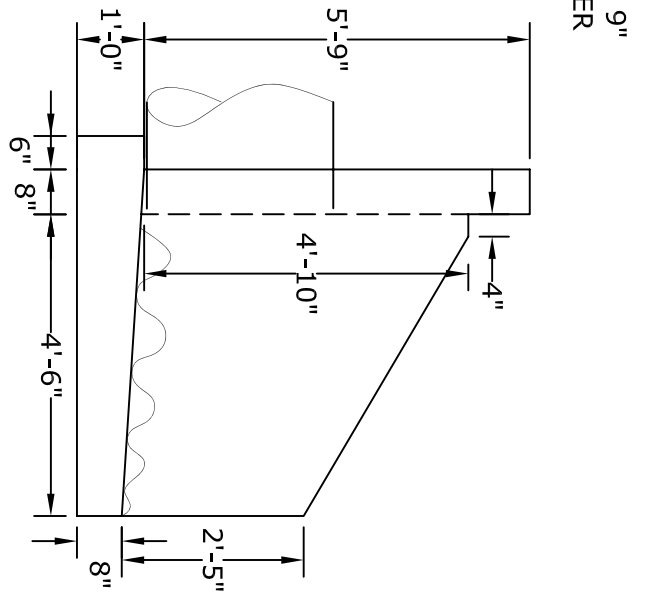
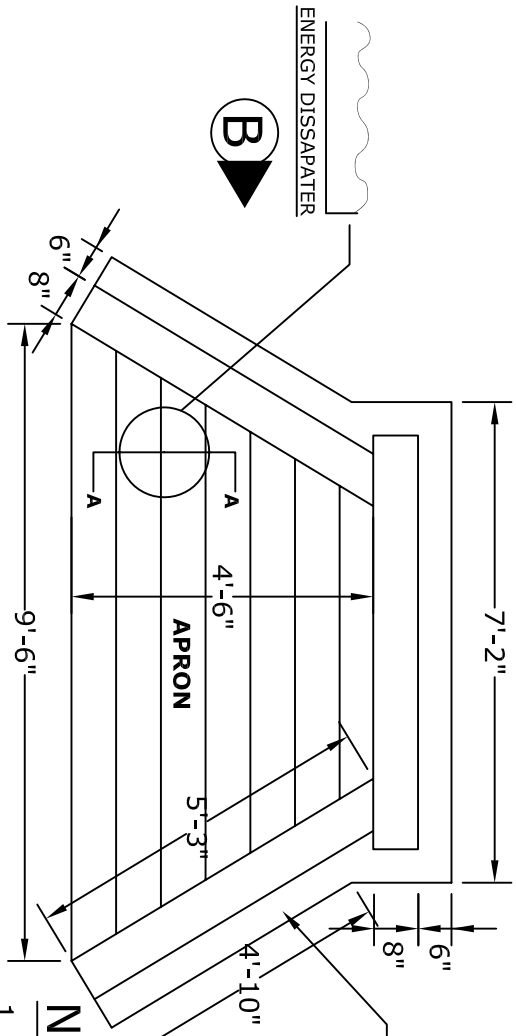


**ELEVATION A-A**



**ELEVATION B-B**



**PLAN VIEW**

**NOTES**

1. CONCRETE- 4000psi, AIR ENTRAINED
2. REINFORCING STEEL- GRADE 60, ASTM A-615
3. WELDED WIRE FABRIC- ASTM A-185

FOOTER EXTENDED

#5 RODS 9"  
CC FOOTER  
WALLS  
TYPICAL

HOLE SIZE  
VARIES  
UP TO 54" Ø

FOOTER SLOPES FROM  
12" (IN BACK) TO 8" (IN FRONT)

**ALTOMARE PRECAST, INC.**  
4300 Wissahickon Ave.  
Philadelphia, PA 19129  
Ph: 215-225-8800 Fax: 215-225-8900

**TITLE:**  
**LARGE D-W HEADWALL**

**PROJECT:**  
**CONTR:**  
**DATE:**