

**EAST JORDAN
IRON WORKS, INC.**
P.O. BOX 439
EAST JORDAN, MI 49727
1-800-874-4100
FAX 231-536-4458

DRAWN DEW	DATE 10/25/04
--------------	------------------

APPROVED	DATE
----------	------

**MANHOLE FRAME
DIPPED**

PRODUCT NO.

**00104510
DIPPED**

CATALOG NO.

1045Z

REF. PRODUCT DRAWING

104510

EST. WT.

FRAME: 162 LBS 73kg

OPEN AREA

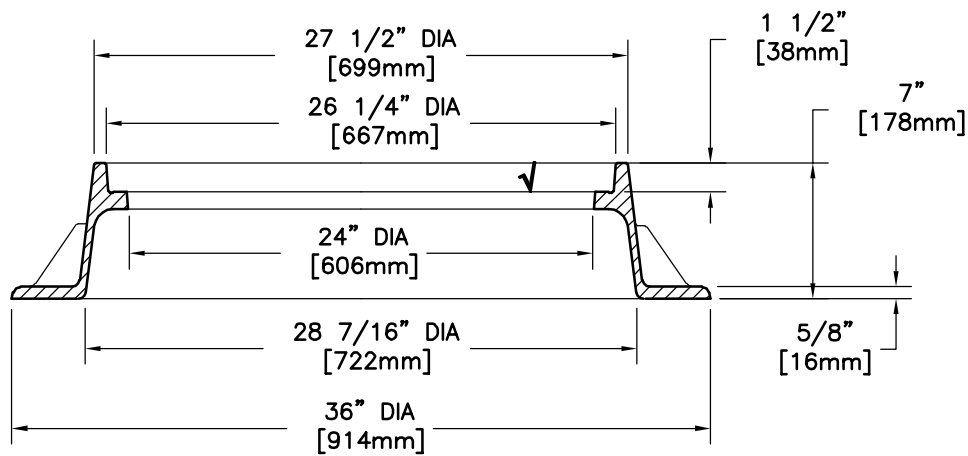
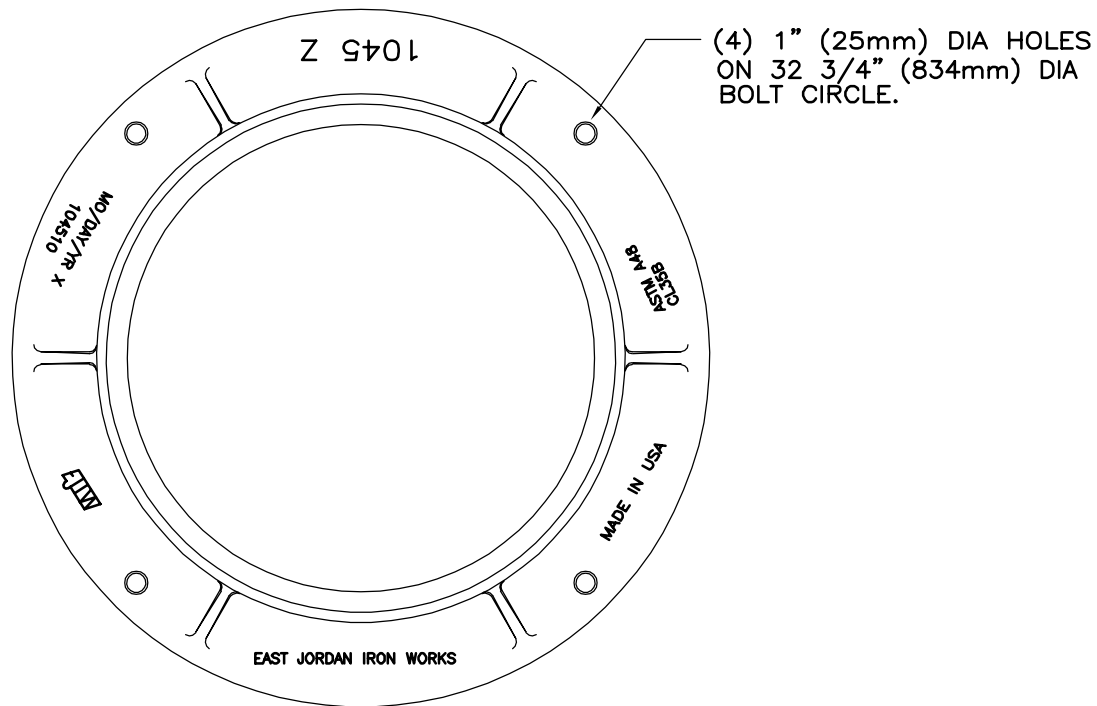
N/A

MAT'L SPEC.

FRAME - GRAY IRON
ASTM A48 CL35B

LOAD RATING

HEAVY DUTY
HS-25



FRAME SECTION

✓ MACHINED SURFACE