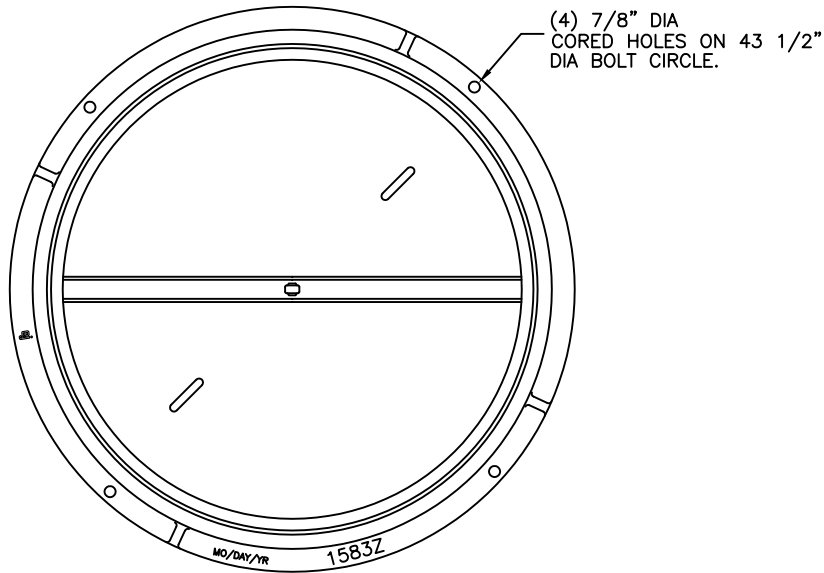


# 1583Z G Assembly



## Product Number

00158300

## Design Features

- Materials
  - Frame
    - Gray Iron (CL35B)
  - Cover
    - Gray Iron (CL35B)

- Design Load
  - Heavy Duty

- Open Area
  - n/a

- Coating
  - Undipped

- √ Designates Machined Surface

## Certification

- 
- ASTM A48
- 
- Country of Origin:USA

## Major Components

00158311  
00158327

## Drawing Revision

11/12/1996 Designer: DEW  
02/11/2014 Revised By: DAE

## Disclaimer

Weights (lbs./kg) dimensions (inches/mm) and drawings provided for your guidance. We reserve the right to modify specifications without prior notice.

CONFIDENTIAL: This drawing is the property of EJ GROUP, Inc., and embodies confidential information, registered marks, patents, trade secret information, and/or know how that is the property of EJ GROUP, Inc. Copyright © 2012 EJ GROUP, Inc. All rights reserved.

## Contact

800 626 4653  
ejco.com

