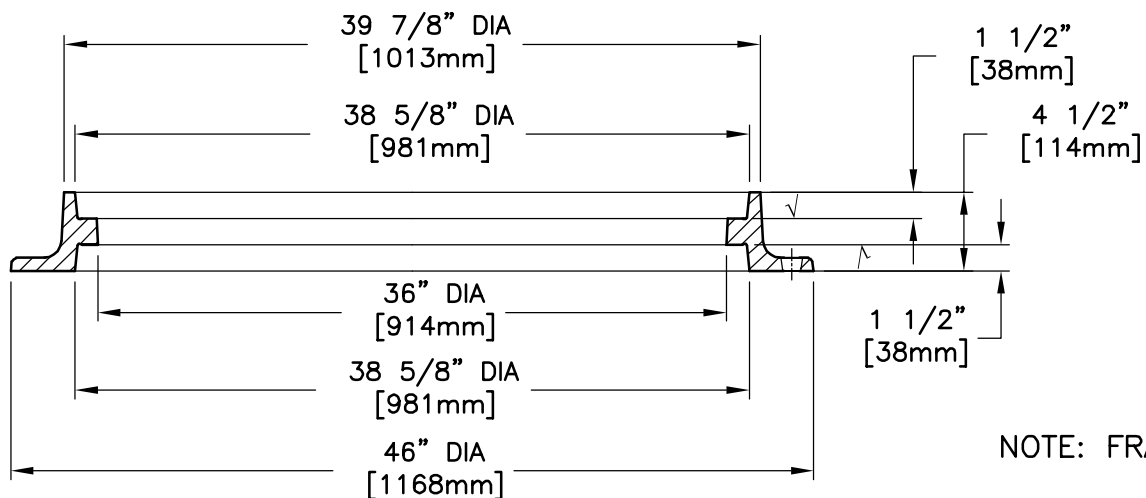


(4) 1" DIA HOLES ON  
43 1/2" [1105mm]  
DIA BOLT CIRCLE.



FRAME SECTION

NOTE: FRAME IS REVERSIBLE.

✓ MACHINED SURFACE

**EAST JORDAN  
IRON WORKS, INC.**  
P.O. BOX 439  
EAST JORDAN, MI. 49727  
1-800-874-4100  
FAX 231-536-4458

DRAWN SBB	DATE 09/25/03
APPROVED	DATE

## 1581 FRAME

PRODUCT NO.  
**00158110**  
DIPPED

CATALOG NO.  
**1581Z**

REF. PRODUCT DRAWING  
00158110

EST. WT.  
FRAME: 250 LBS 113kg

OPEN AREA  
N/A

MAT'L SPEC.  
FRAME - GRAY IRON  
ASTM A48 CL35

LOAD RATING  
**HEAVY DUTY**