

PRODUCT NUMBER

00158514

CATALOG NUMBER

1585Z1

MANHOLE FRAME

LOAD RATING

HEAVY DUTY

COATING

DIPPED

ESTIMATED WEIGHT

FRAME: 242 LBS 110kg

MATERIAL SPECIFICATION

FRAME - GRAY IRON
ASTM A48 CL35B

OPEN AREA
N/A

√ DESIGNATES MACHINED SURFACE

DRAWN
DEW

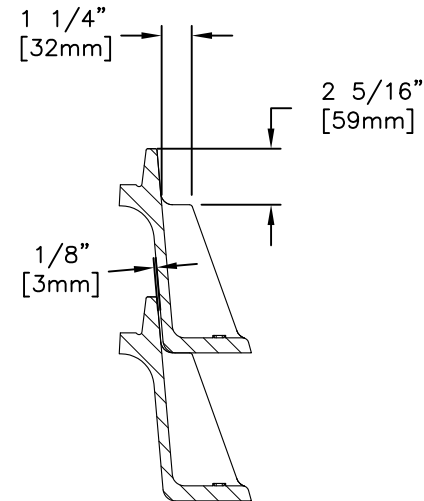
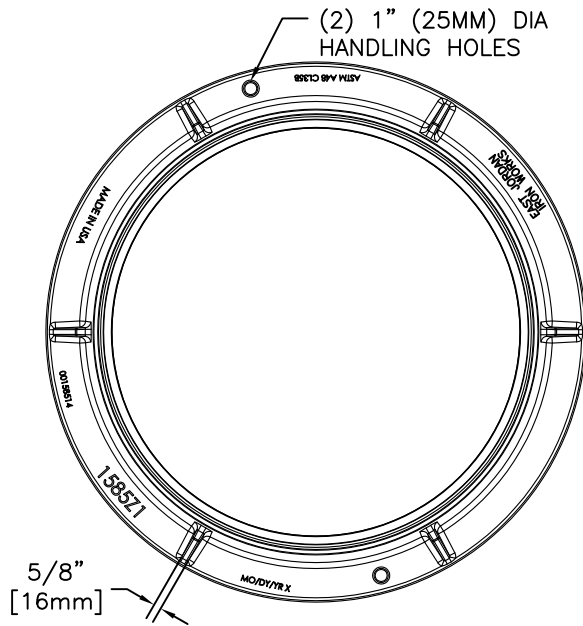
DATE
01/18/07

LAST REVISED

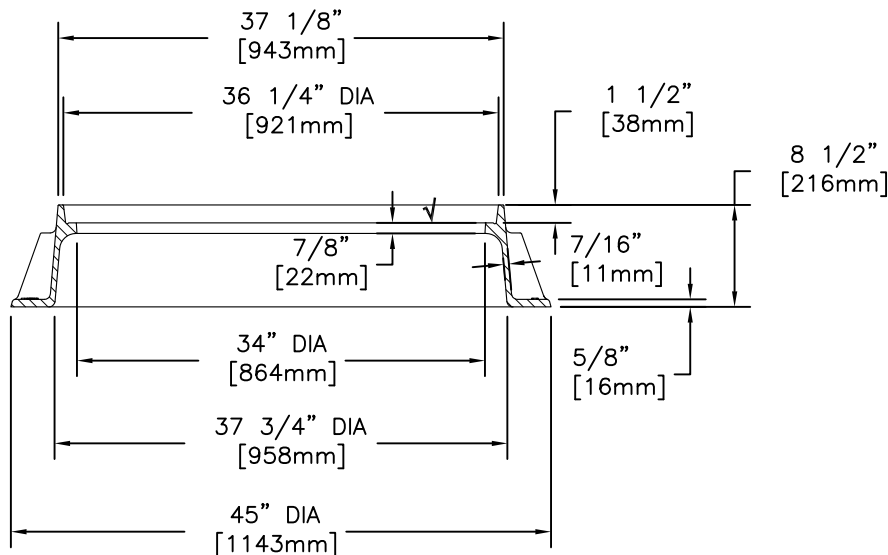
DATE

REFERENCE INFORMATION

00158513
SLD



STACK DETAIL



SECTION