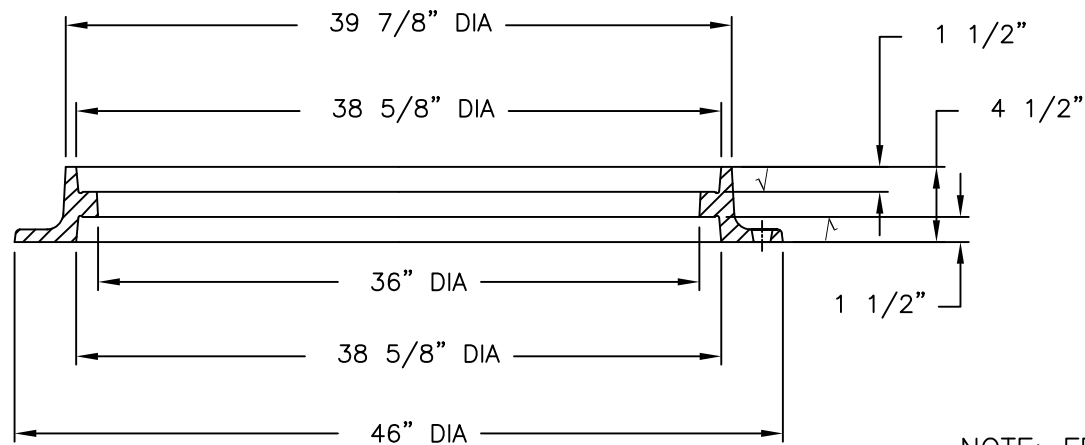
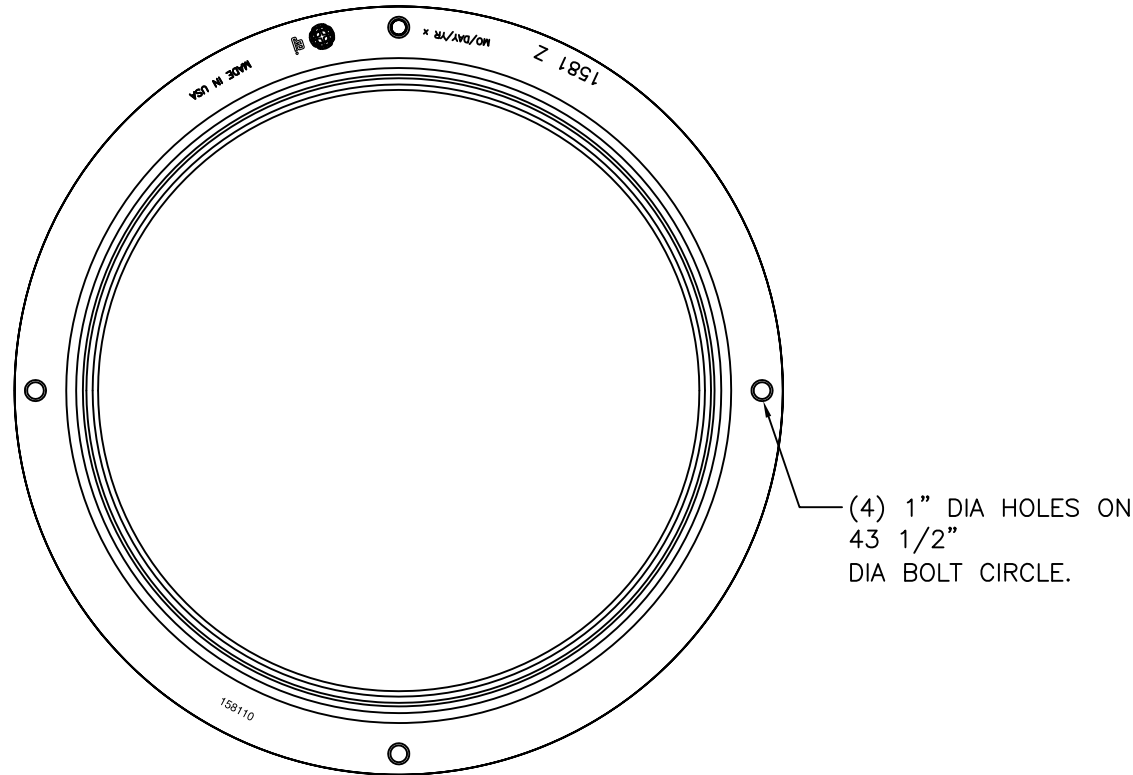


# 1581 Frame



FRAME SECTION

NOTE: FRAME IS REVERSIBLE.

## Product Number

00158110

## Design Features

- Materials
  - Gray Iron (CL35B)
- Design Load
  - Heavy Duty
- Open Area
- Coating
  - Dipped
- √ Designates Machined Surface

## Certification

- ASTM A48
- 
- 
- Country of Origin: USA

## Drawing Revision

09/25/2003 Designer: SBB  
03/21/2012 Revised By: SDC

## Disclaimer

Weights (lbs./kg) dimensions (inches/mm) and drawings provided for your guidance. We reserve the right to modify specifications without prior notice.

CONFIDENTIAL: This drawing is the property of EJ GROUP, Inc., and embodies confidential information, registered marks, patents, trade secret information, and/or know how that is the property of EJ GROUP, Inc. Copyright © 2011 EJ GROUP, Inc. All rights reserved.

## Contact

800 626 4653  
ejco.com