

PRODUCT NUMBER

00148225

CATALOG NUMBER

1480AHD

**MANHOLE
COVER**

LOAD RATING

HEAVY DUTY

COATING

UNDIPPED

MATERIAL SPECIFICATION

COVER - GRAY IRON
ASTM A48 CL35B

OPEN AREA
N/A

√ DESIGNATES MACHINED
SURFACE

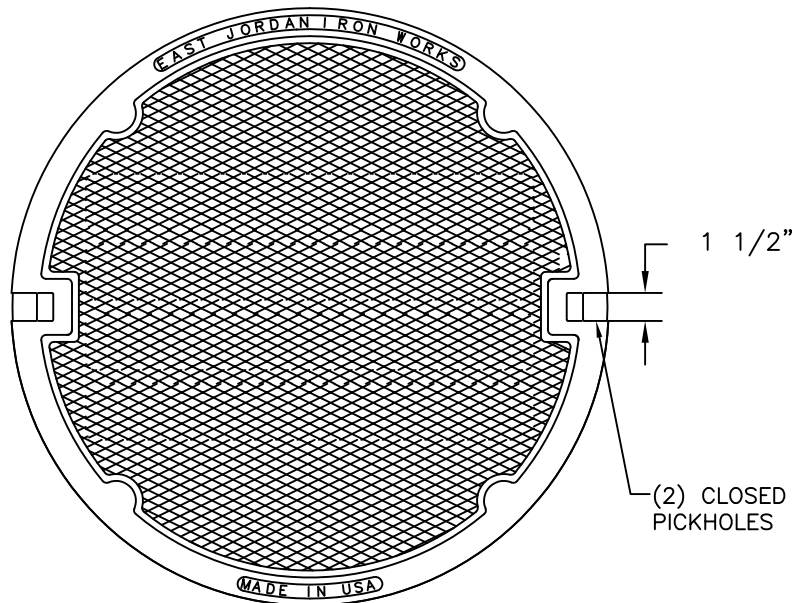
DRAWN
DEW

DATE
03/31/03

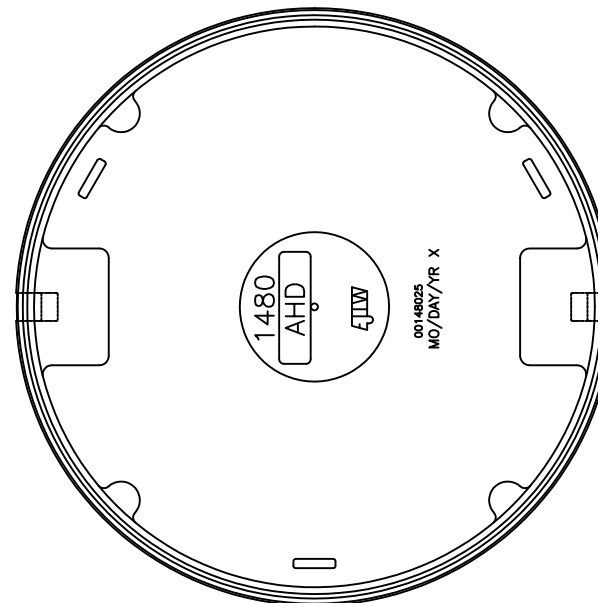
LAST REVISED
GAD

DATE
08/15/08

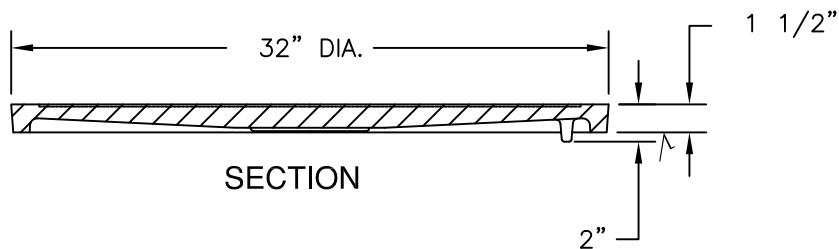
REFERENCE INFORMATION



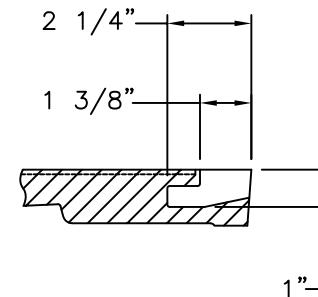
PLAN VIEW



BOTTOM VIEW



SECTION



PICKHOLE DETAIL