

**EAST JORDAN
IRON WORKS, INC.**
P.O. BOX 439
EAST JORDAN, MI. 49727
1-800-874-4100
FAX 231-536-4458

DRAWN HCB	DATE 05/24/04
--------------	------------------

APPROVED	DATE
----------	------

MANHOLE FRAME

PRODUCT NO.
00148018
DIPPED

CATALOG NO.
1480ZPT

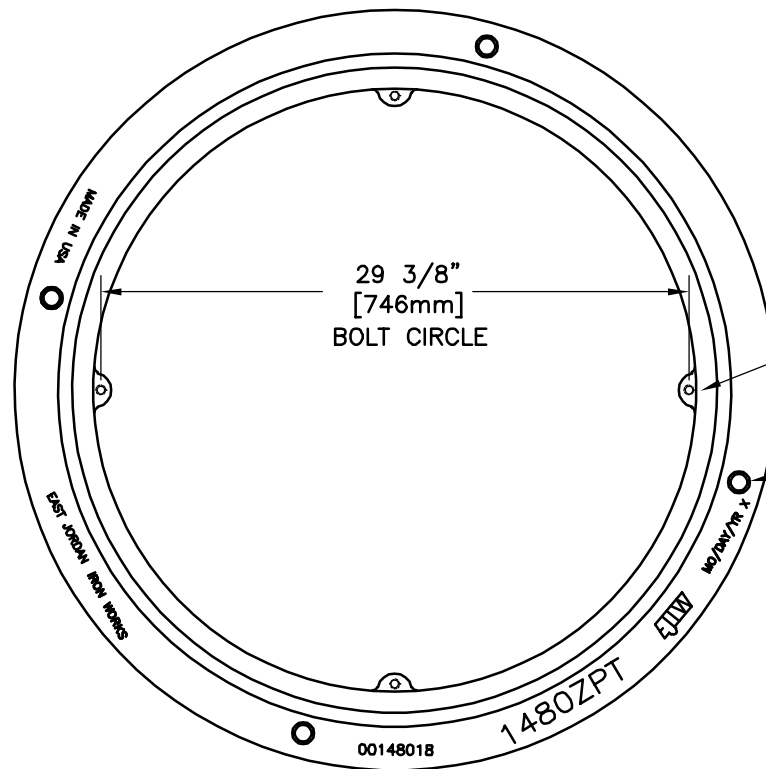
REF. PRODUCT DRAWING
00148016

EST. WT.
FRAME: 155LBS 70kg

OPEN AREA
N/A

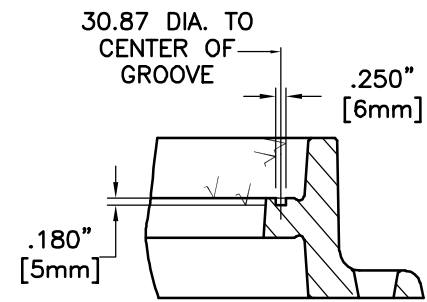
MAT'L SPEC.
FRAME - GRAY IRON
ASTM A48 CL35B

LOAD RATING
HEAVY DUTY

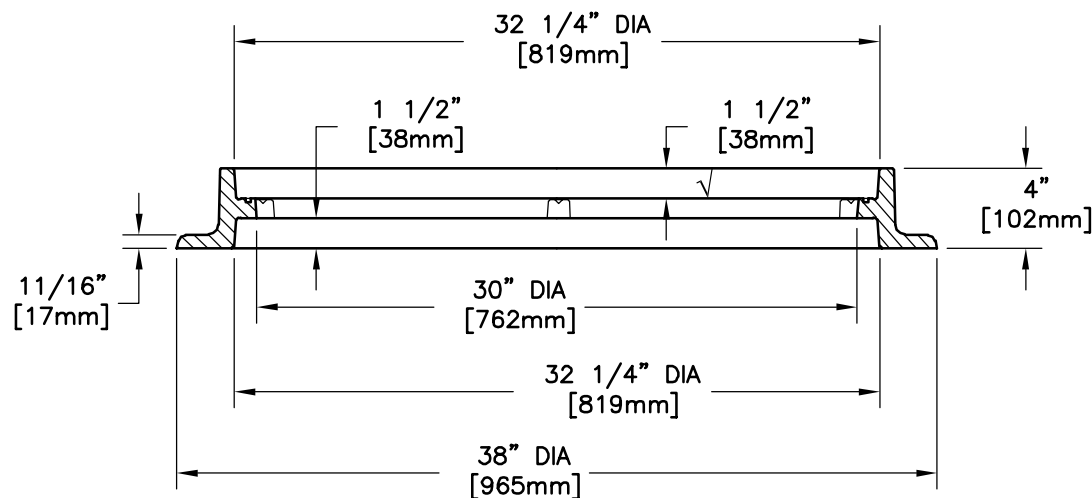


DRILLED & TAPPED
FOR 1/2-13 BOLTS
(4) PLACES

(4) 7/8" (22mm) HOLES
35" 1/2 (905mm) DIA BC



GROOVE DETAIL



SECTION

√ MACHINED SURFACE