

EAST JORDAN
IRON WORKS, INC.
P.O. BOX 439
EAST JORDAN, MI. 49727
1-800-874-4100
FAX 231-536-4458

DRAWN DEW	DATE 08/26/05
APPROVED	DATE

MANHOLE FRAME

PRODUCT NO.
00131011
UNDIPPED
CATALOG NO.

1310Z

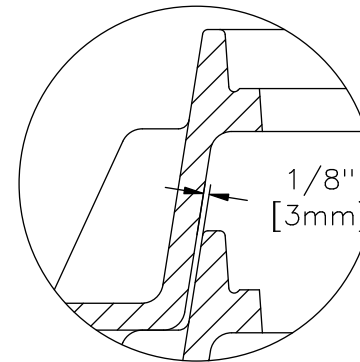
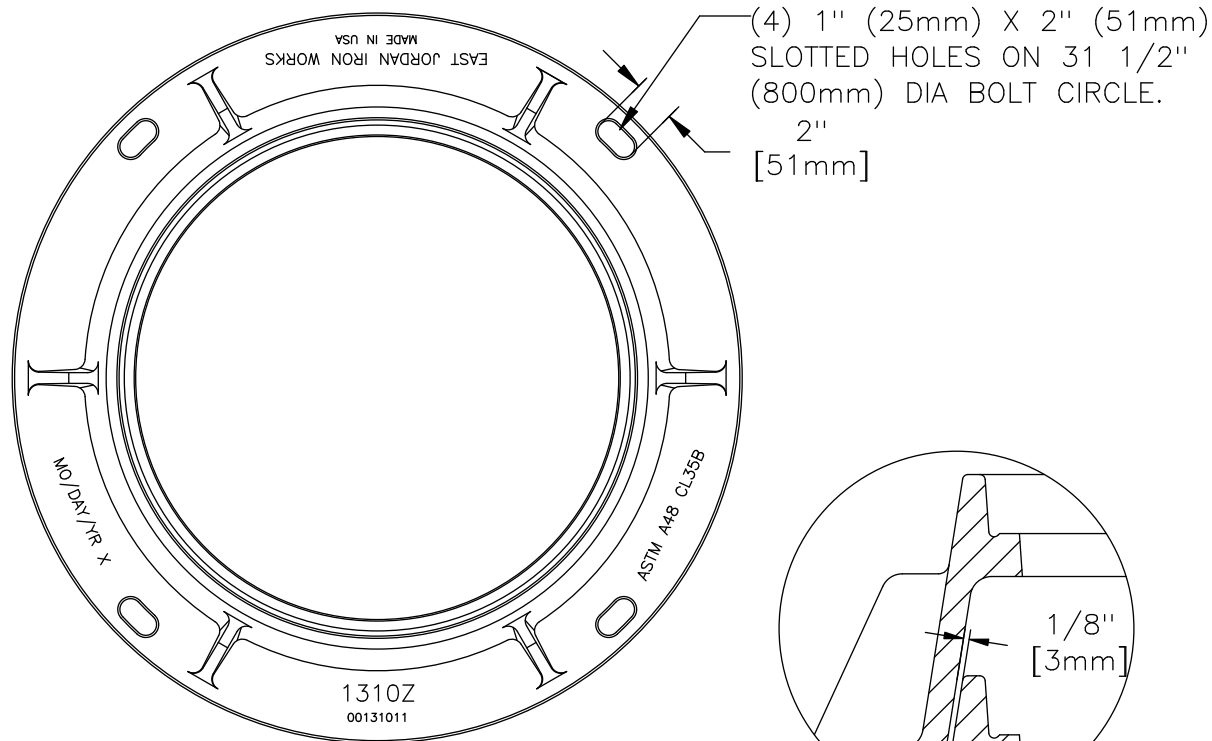
REF. PRODUCT DRAWING
131011

EST. WT.
FRAME: 167 LBS 82kg

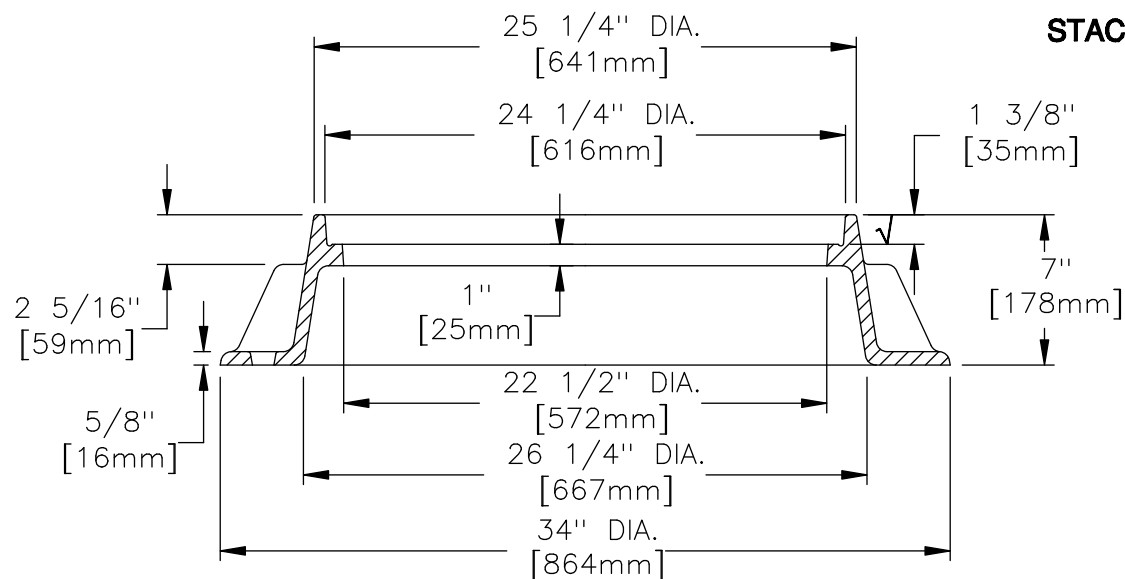
OPEN AREA
N/A

MAT'L SPEC.
FRAME - GRAY IRON
ASTM A48 CL35B

LOAD RATING
HEAVY DUTY



STACKING DETAIL



SECTION VIEW

√ MACHINED SURFACE