

PA 22" X 4" UND FR

0PA013100001

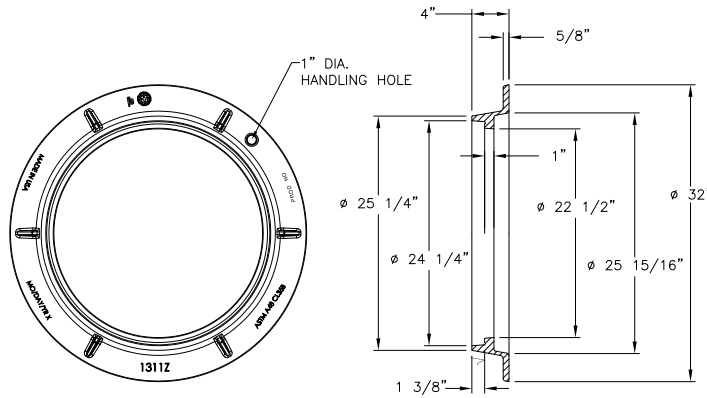


1311Z Frame



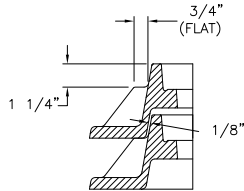
00131111

Quantity: 1



PLAN VIEW

SECTION VIEW



STACKING
DETAIL

Product Number

00131111

Design Features

- Materials
 - Gray Iron (CL35B)
- Design Load
 - Heavy Duty
 - Open Area
- Coating
 - n/a
 - Undipped
- √ Designates Machined Surface

Certification

- ASTM A48
-
- Country of Origin: USA

Drawing Revision

04/08/2004 Designer: TCL
10/23/2013 Revised By: DAE

Disclaimer

Weights (lbs./kg), dimensions (inches/mm) and drawings provided for your guidance. We reserve the right to modify specifications without prior notice.

CONFIDENTIAL: This drawing is the property of EJ GROUP, Inc. and embodies confidential information, registered marks, patents, trade secret information, and/or know how that is the property of EJ GROUP, Inc. Copyright © 2012 EJ GROUP, Inc. All rights reserved.

Contact

800 626 4653
ejco.com

Disclaimer

Weight (lbs./kg), dimensions (inches/mm) and drawings provided for your guidance. We reserve the right to modify specifications without prior notices

CONFIDENTIAL: This drawing is the property of EJ GROUP, Inc., and embodies confidential information, registered marks, patents, trade secret information, and/or know how that is the property of EJ GROUP, Inc. Copyright © 2014 EJ GROUP, Inc. All rights reserved

Contact

800 626 4653
ejco.com