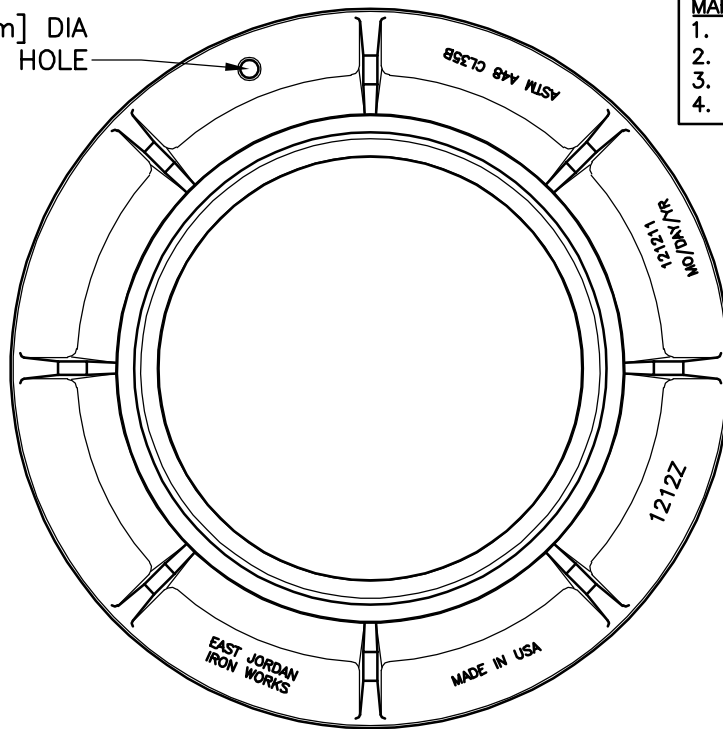


1" [25mm] DIA
HANDLING HOLE



MARKINGS REQUIRED BY NJDOT & AASHTO M306-04:

1. NAME OF PRODUCING FOUNDRY
2. COUNTRY OF MANUFACTURE (MADE IN USA)
3. ASTM A48 CLASS 35B
4. DATE OF MANUFACTURE

EAST JORDAN
IRON WORKS, INC.
P.O. BOX 439
EAST JORDAN, MI 49727
1-800-874-4100
FAX 231-536-4458

DRAWN JIJ	DATE 09/29/05
--------------	------------------

APPROVED	DATE
----------	------

MANHOLE FRAME

PRODUCT NO.

00121211

CATALOG NO.

1212Z

REF. PRODUCT DRAWING

00121211

ESTIMATED WEIGHT

FRAME: 337 LBS 153kg

OPEN AREA

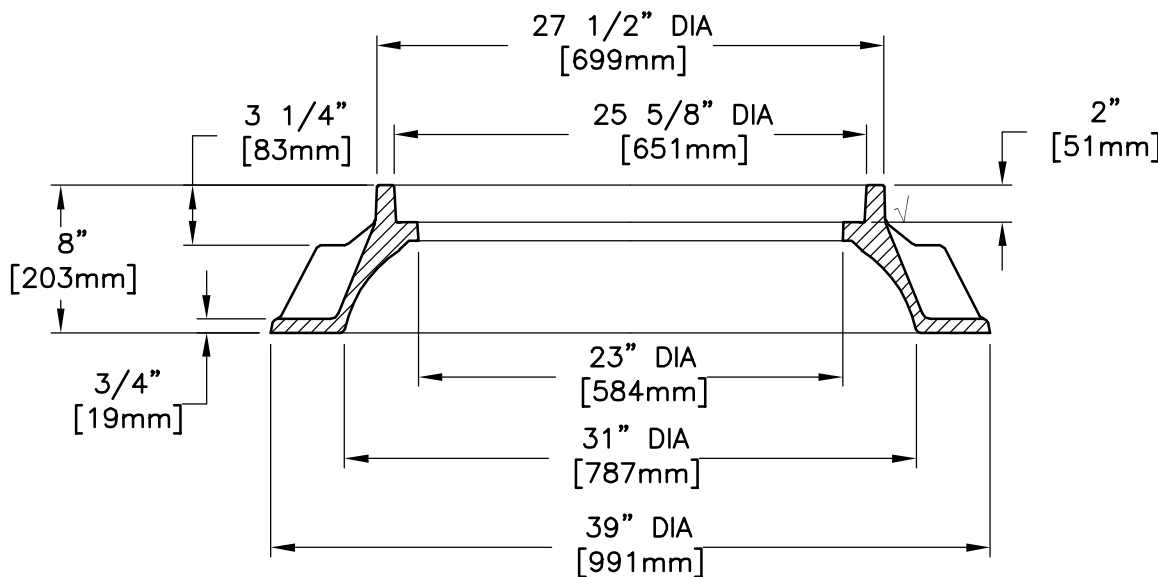
N/A

MAT'L SPEC.

FRAME - GRAY IRON
ASTM A48 CL35B

LOAD RATING

HEAVY DUTY



FRAME SECTION

√ MACHINED SURFACE