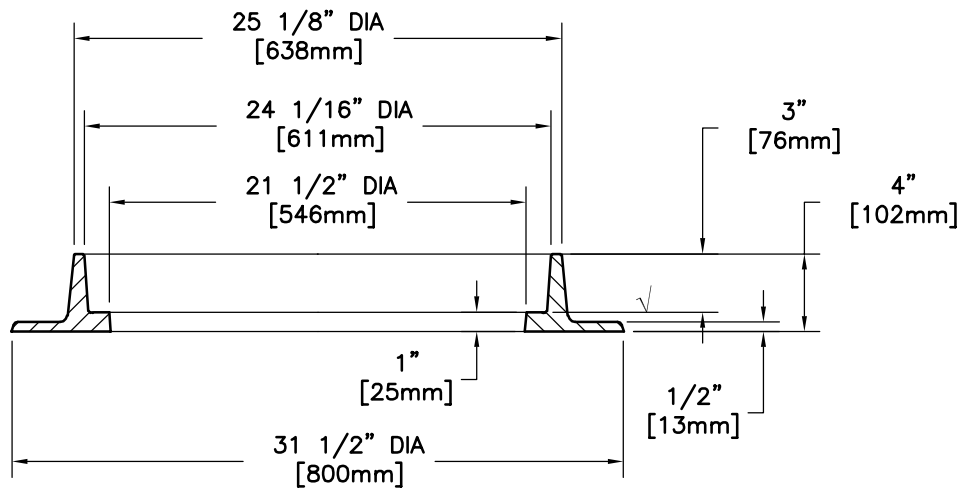


(4) 7/8" (22mm) DIA
HOLES ON 28" (711mm) DIA
BOLT CIRCLE



SECTION

√ MACHINED SURFACE

**EAST JORDAN
IRON WORKS, INC.**
P.O. BOX 439
EAST JORDAN, MI. 49727
1-800-874-4100
FAX 231-536-4458

DRAWN DEW	DATE 09/14/99
APPROVED	DATE

**4" HIGH
MANHOLE FRAME**

PRODUCT NO.
183411

CATALOG NO.
1834Z

REF. PRODUCT DRAWING
183411

EST. WT.
FRAME: 123 LBS 56kg

OPEN AREA
N/A

MAT'L SPEC.
FRAME - GRAY IRON
ASTM A48 CL35B

LOAD RATING
HEAVY DUTY