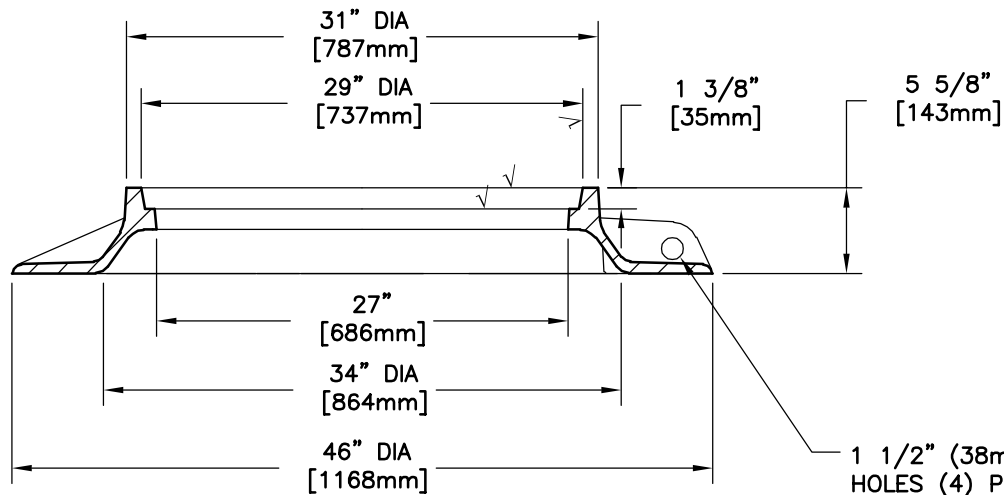


(4) 1" (25mm) DIA. CORED HOLES
ON 43 1/2" (1105mm) BOLT CIRCLE



CROSS SECTION

EJIW EAST JORDAN
IRON WORKS EST. 1883
800-626-4653
www.ejiw.com
MADE IN USA

PRODUCT NUMBER
00180211

CATALOG NUMBER
1802ZVH

FRAME

LOAD RATING
HEAVY DUTY

COATING
UNDIPPED

ESTIMATED WEIGHT
FRAME: 310 LBS 141kg

MATERIAL SPECIFICATION
**FRAME - GRAY IRON
ASTM A48 CL35B**

OPEN AREA
N/A

√ DESIGNATES
MACHINED SURFACE

DRAWN GAD	DATE 08/09/99
LAST REVISED	DATE

REFERENCE INFORMATION
00180211

CONFIDENTIAL: This drawing is the property of East Jordan Iron Works, Inc. and embodies confidential information, trade secret information, and/or know how that is the property of East Jordan Iron Works, Inc. © Copyright 2006 East Jordan Iron Works, Inc.