

EAST JORDAN
IRON WORKS, INC.
P.O. BOX 439
EAST JORDAN, MI. 49727
1-800-874-4100
FAX 231-536-4458

DRAWN
DEW

DATE
05/22/03

APPROVED

DATE

MANHOLE FRAME

PRODUCT NO.

00144511

CATALOG NO.

1445Z

REF. PRODUCT DRAWING

00144511

EST. WT.

FRAME: 40 LBS 18kg

OPEN AREA

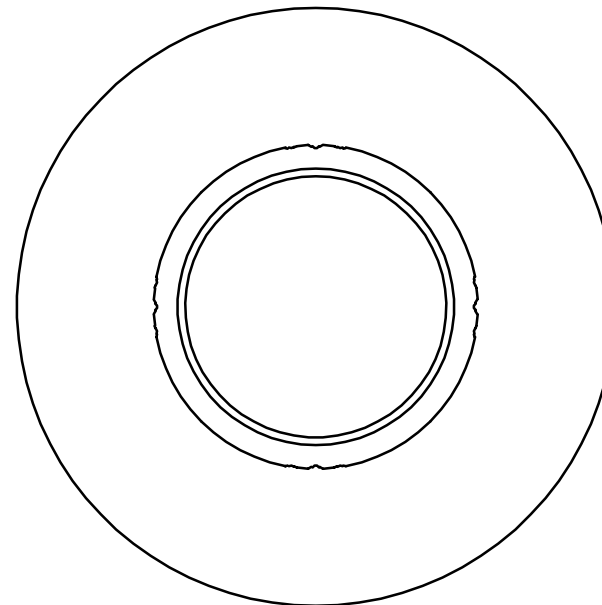
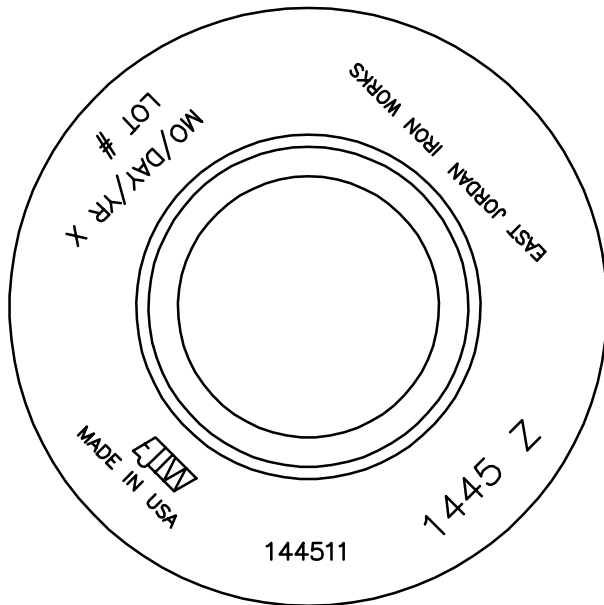
N/A

MAT'L SPEC.

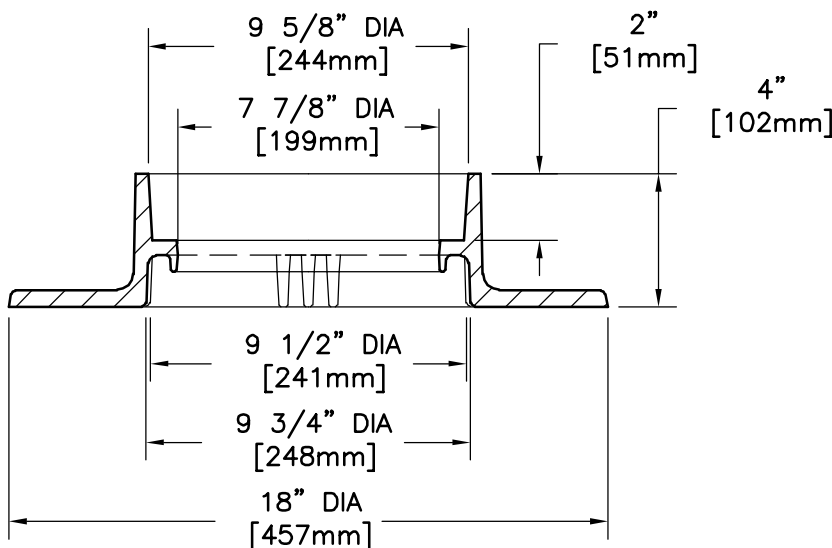
FRAME - GRAY IRON
ASTM A48 CL35

LOAD RATING

HEAVY DUTY



BOTTOM VIEW
OF FRAME



FRAME SECTION

√ MACHINED SURFACE