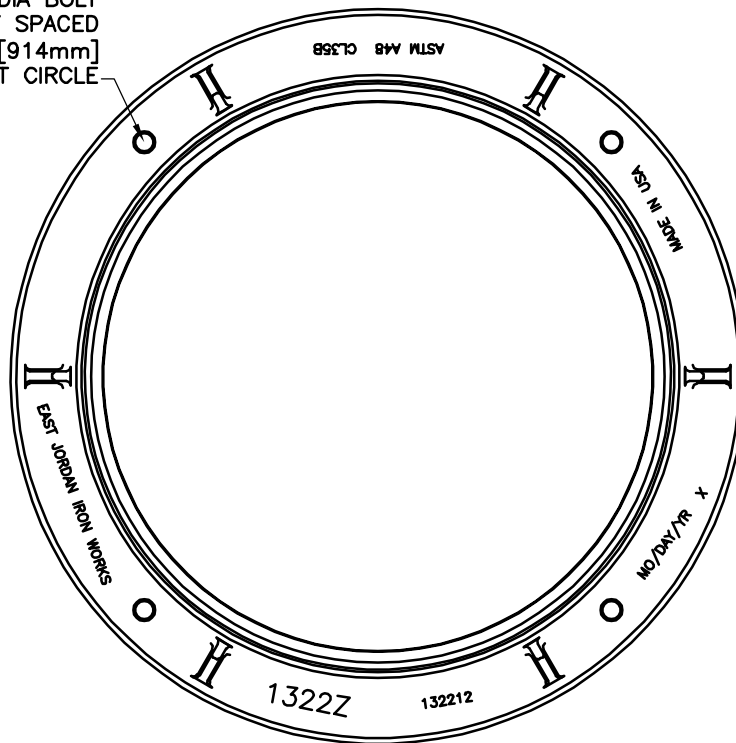


(4) 1" [25mm] DIA BOLT HOLES EQUALLY SPACED 90° APART ON A 36" [914mm] DIA BOLT CIRCLE



EAST JORDAN IRON WORKS, INC.
 P.O. BOX 439
 EAST JORDAN, MI. 49727
 1-800-874-4100
 FAX 231-536-4458

DRAWN TCL	DATE 09/04/03
APPROVED	DATE

MANHOLE FRAME

PRODUCT NO.
00132212
 DIPPED

CATALOG NO.
1322Z

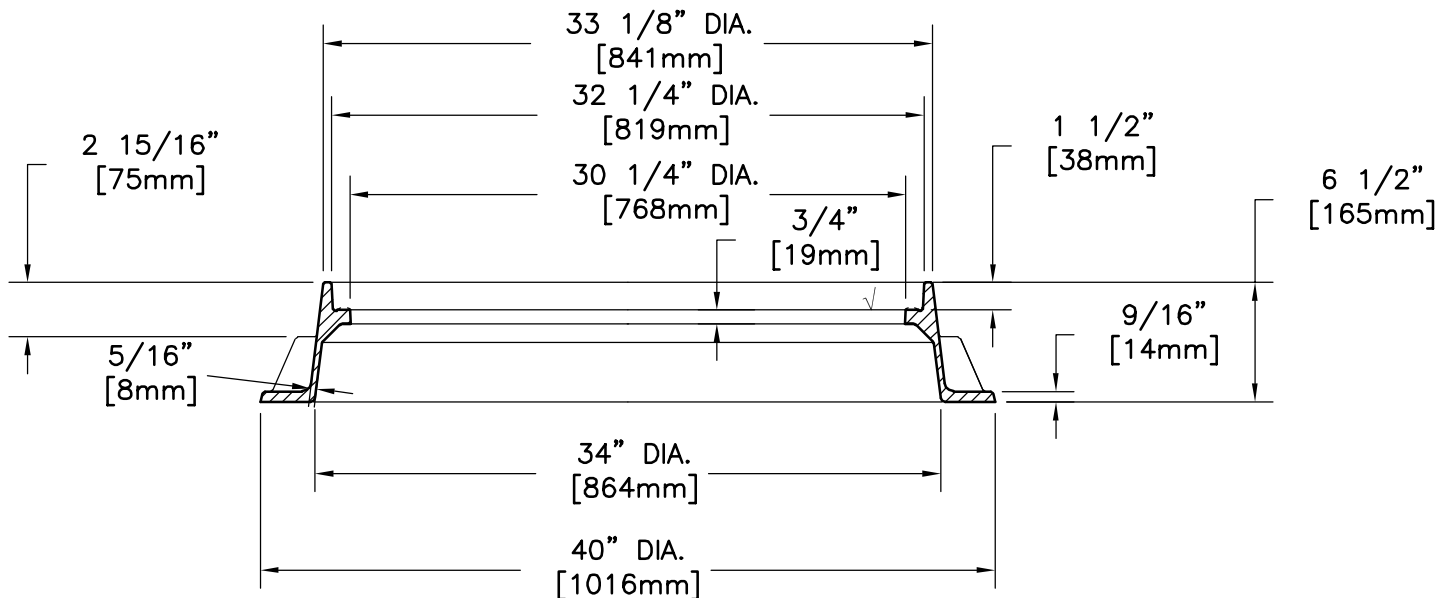
REF. PRODUCT DRAWING
 00132213

EST. WT.
 FRAME: 160 LBS 73kg

OPEN AREA
 N/A

MAT'L SPEC.
 FRAME - GRAY IRON
 ASTM A48 CL35

LOAD RATING
HEAVY DUTY
 HS-25



SECTION

✓ MACHINED SURFACE