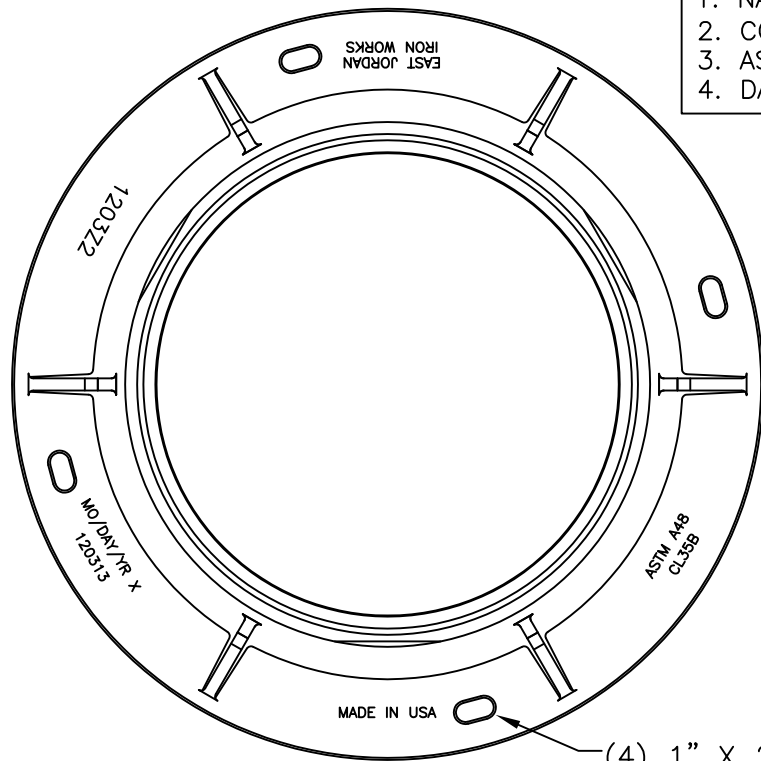
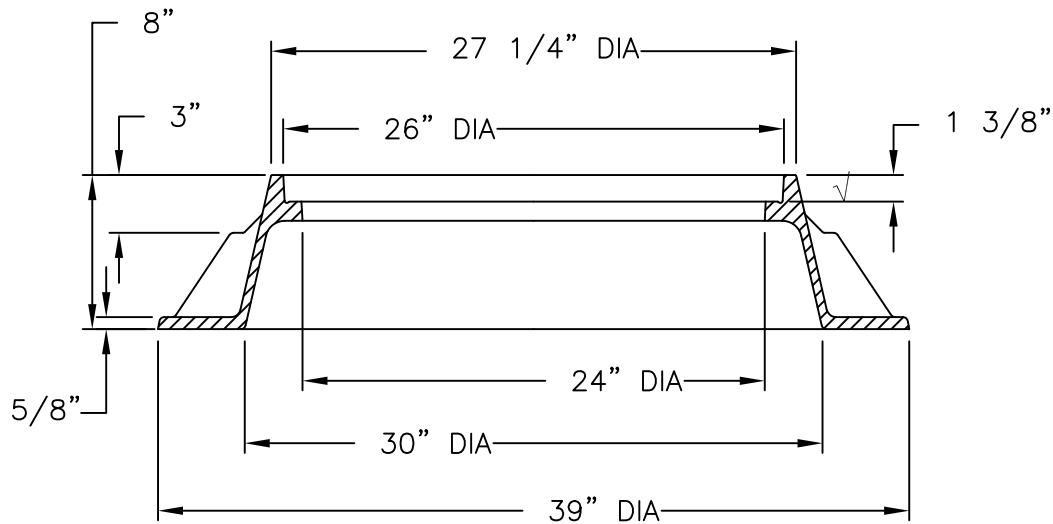


MARKINGS REQUIRED BY NJDOT & AASHTO M306-04:
 1. NAME OF PRODUCING FOUNDRY
 2. COUNTRY OF MANUFACTURE (MADE IN USA)
 3. ASTM A48 CLASS 35B
 4. DATE OF MANUFACTURE



(4) 1" X 2"
 HOLES ON 35" DIA B.C.



FRAME SECTION

CONFIDENTIAL: This drawing is the property of East Jordan Iron Works, Inc. and embodies confidential information, trade secret information, and/or know how that is the property of East Jordan Iron Works, Inc. © Copyright 2008 East Jordan Iron Works, Inc.

EJIW EAST JORDAN
 IRON WORKS EST. 1883

800-626-4653
 www.ejiw.com
 MADE IN USA

PRODUCT NUMBER

00120313

CATALOG NUMBER

1203Z2

8" FRAME

LOAD RATING

HEAVY DUTY

COATING

UNDIPPED

MATERIAL SPECIFICATION

FRAME - GRAY IRON
 ASTM A48 CL35B

OPEN AREA
 N/A

√ DESIGNATES MACHINED SURFACE

DRAWN
 SBB

DATE
 07/28/04

LAST REVISED
 JJD

DATE
 08/04/08

REFERENCE INFORMATION