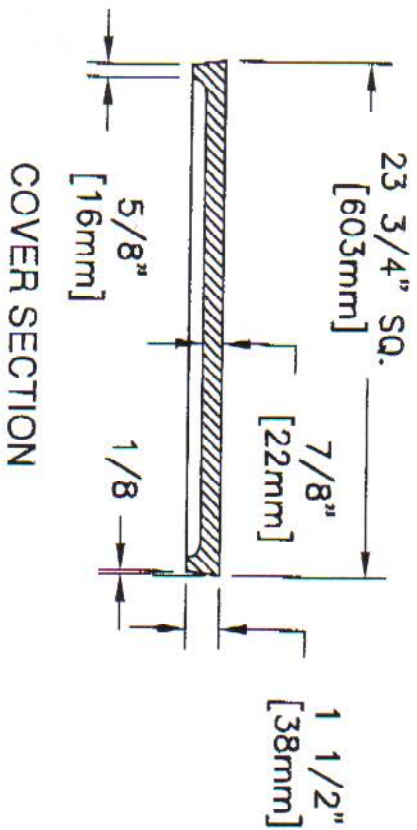
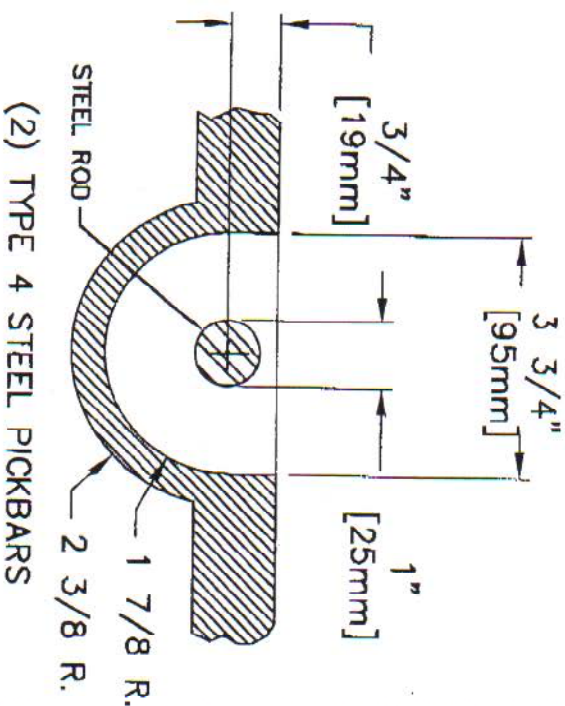


COVER FACE



COVER SECTION



PICKBAR DETAIL

(2) TYPE 4 STEEL PICKBARS

EAST JORDAN
IRON WORKS, INC.
P.O. BOX 439
EAST JORDAN, MI. 49727
1-800-874-4100
FAX 231-536-4458

| | |
|-------|----------|
| DRAWN | DATE |
| DEW | 03/15/01 |

| | |
|----------|------|
| APPROVED | DATE |
|----------|------|

MANHOLE COVER

PRODUCT NO.

46622020

CATALOG NO.

V-6622

REF. PRODUCT DRAWING

N/A

EST. WT.

COVER: 142 LBS 64kg

OPEN AREA

N/A

MAT'L SPEC.

COVER - GRAY IRON
ASTM A48 CL30

LOAD RATING

HEAVY DUTY