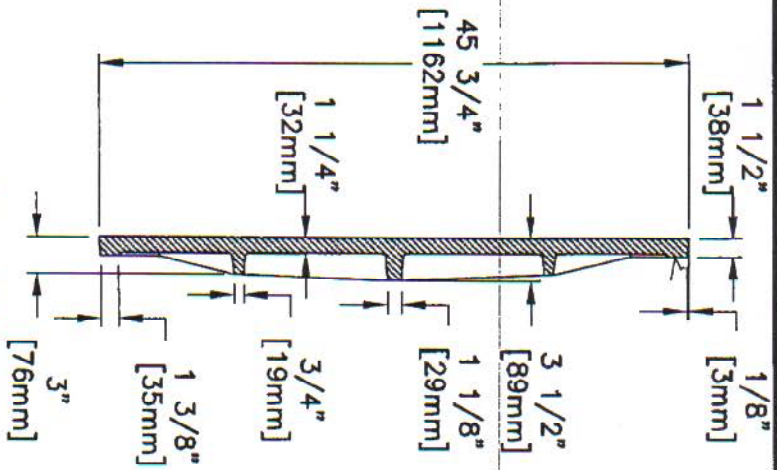
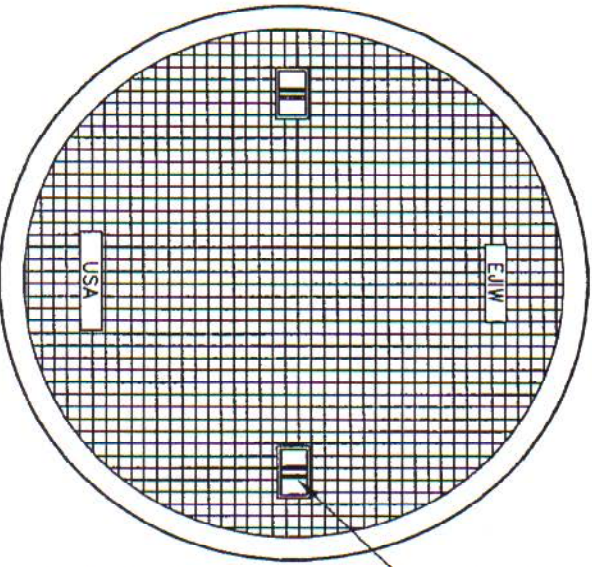


COVER BACK

COVER SECTION

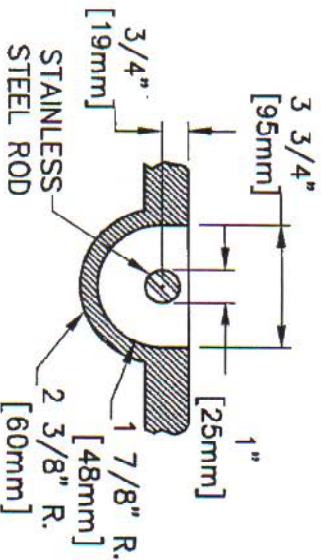


✓ MACHINED SURFACE



COVER FACE

(2) TYPE 4 PICKBARS



(2) TYPE 4 STEEL PICKBARS
PICKBAR DETAIL

EAST JORDAN
IRON WORKS, INC.
P.O. BOX 439
EAST JORDAN, MI. 49727
1-800-874-4100
FAX 231-536-4458

DRAWN DATE
BAI 06/16/00

APPROVED DATE

V-1610-8
COVER

PRODUCT NO.

41610820

CATALOG NO.

V-1610-8

REF. PRODUCT DRAWING

N/A

EST. WT.

COVER: 646 LBS 294kg

OPEN AREA

N/A

MAT'L SPEC.

COVER - GRAY IRON
ASTM A48 CL30

LOAD RATING

HEAVY DUTY