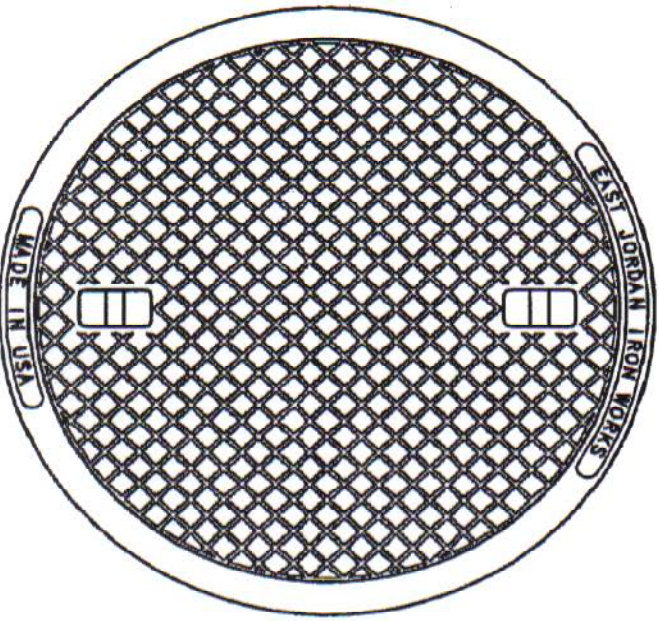
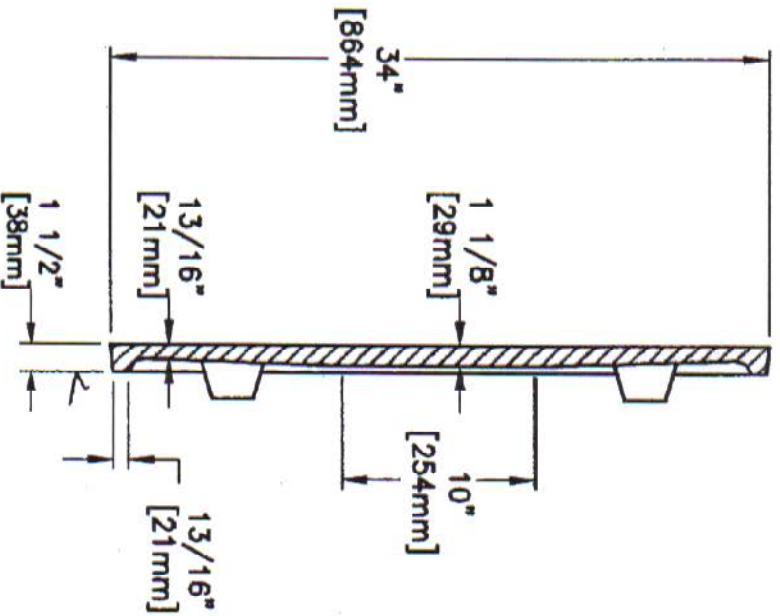


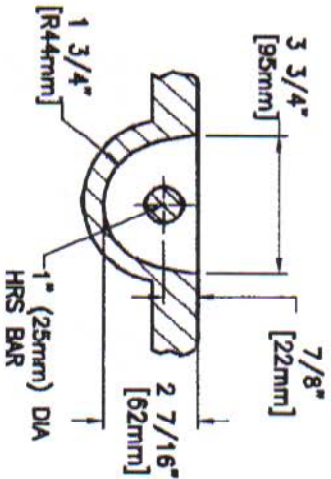
COVER BACK



COVER FACE



COVER SECTION



PICKBAR DETAIL

MACHINED SURFACE

**EAST JORDAN IRON WORKS, INC.**  
 P.O. BOX 439  
 EAST JORDAN, MI. 49727  
 1-800-874-4100  
 FAX 231-536-4458

DRAWN	DATE
TCL/SMH	01/06/04
APPROVED	DATE

**COVER**

PRODUCT NO.

**41610620**

CATALOG NO.

**V-1610-6**

REF. PRODUCT DRAWING

N/A

EST. WT.

COVER: 233 LBS 105kg

OPEN AREA

N/A

MAT'L SPEC.

COVER - GRAY IRON  
 ASTM A48 CL35B

LOAD RATING

**HEAVY DUTY**