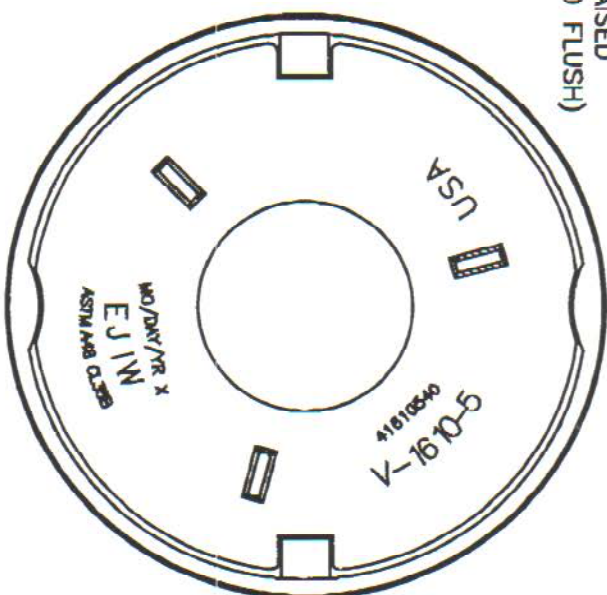
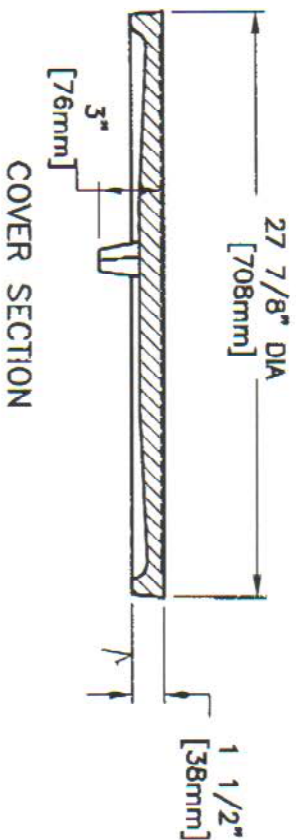


1 1/2" [38mm] RAISED
LETTERS (RECESSED FLUSH)

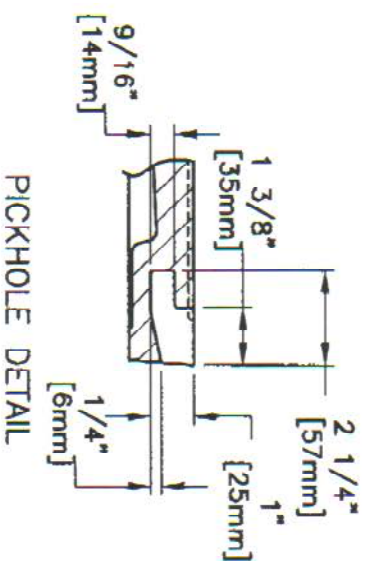
1 1/2" [38mm]



COVER BOTTOM



COVER SECTION



PICKHOLE DETAIL

✓ MACHINED SURFACE

EAST JORDAN
IRON WORKS, INC.

P.O. BOX 439
EAST JORDAN, MI. 49727
1-800-874-4100
FAX 231-536-4458

DRAWN	DATE
SBB	09/16/02

APPROVED	DATE

V-1610-5 COVER

PRODUCT NO.

41610540

CATALOG NO.

V-1610-5 CV

REF. PRODUCT DRAWING

41610534

EST. WT.

COVER: 158 LBS 72kg

OPEN AREA

N/A

MAT'L SPEC.
COVER - GRAY IRON
ASTM A48 C135

LOAD RATING

HEAVY DUTY