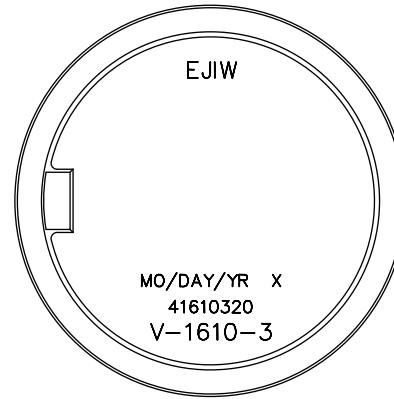
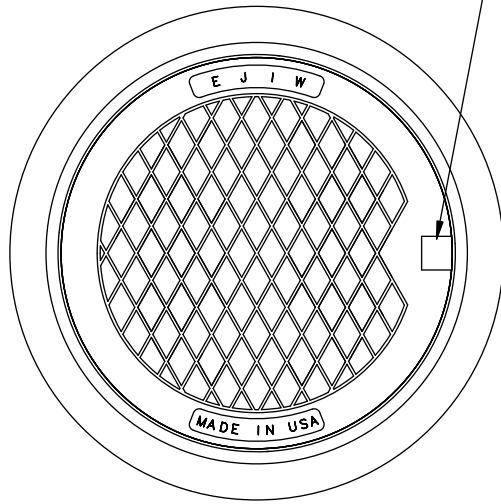
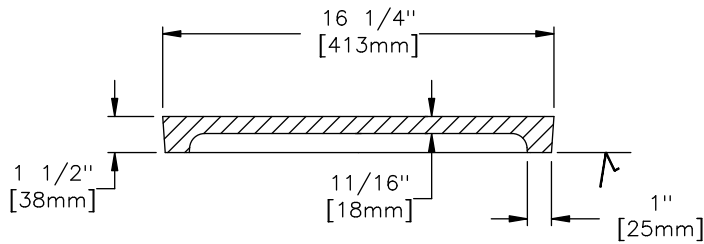


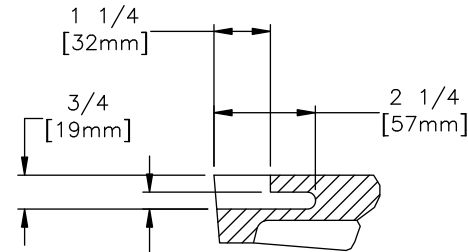
(1) TYPE 2 NON-PENETRATING PICKHOLE



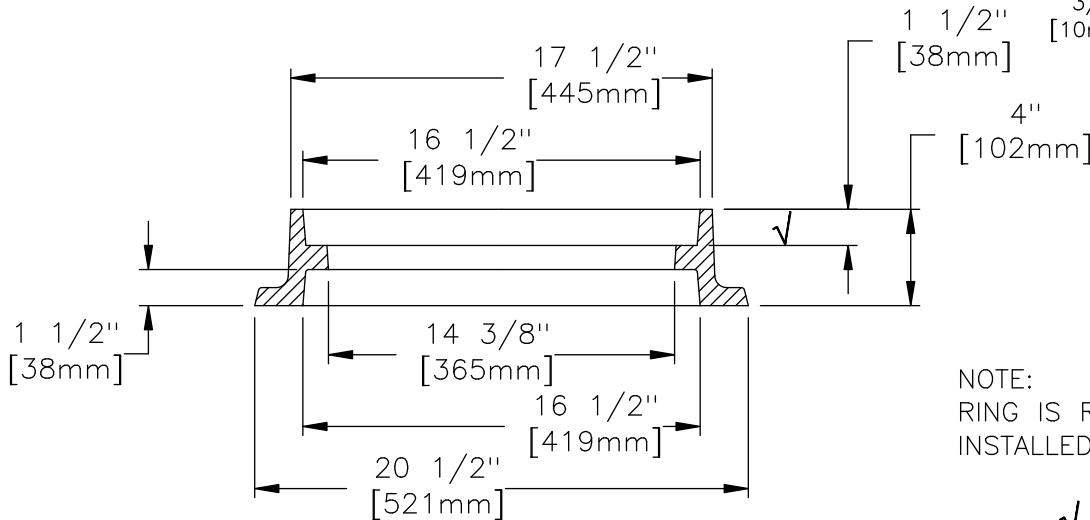
COVER BACK



COVER SECTION



(1) TYPE TWO NON-PENETRATING PICKHOLE
PICKHOLE DETAIL



FRAME SECTION

NOTE:
RING IS REVERSIBLE AND CAN BE
INSTALLED AS A TOP FLANGE UNIT.

√ MACHINED SURFACE

EAST JORDAN
IRON WORKS, INC.
P.O. BOX 439
EAST JORDAN, MI. 49727
1-800-874-4100
FAX 231-536-4458

DRAWN DEW	DATE 06/30/03
APPROVED	DATE

FRAME & COVER
ASSEMBLY

PRODUCT NO.
41610300

CATALOG NO.
V-1610-3
V-1610-3

REF. PRODUCT DRAWING
41610310
41610320

EST. WT.
COVER: 45 LBS 20kg
RING: 60 LBS 27kg
UNIT: 105 LBS 48kg

OPEN AREA
95 sq. in.
[613 sq. cm.]

MAT'L SPEC.
COVER - GRAY IRON
ASTM A48 CL35
RING - GRAY IRON
ASTM A48 CL35

LOAD RATING
HEAVY DUTY