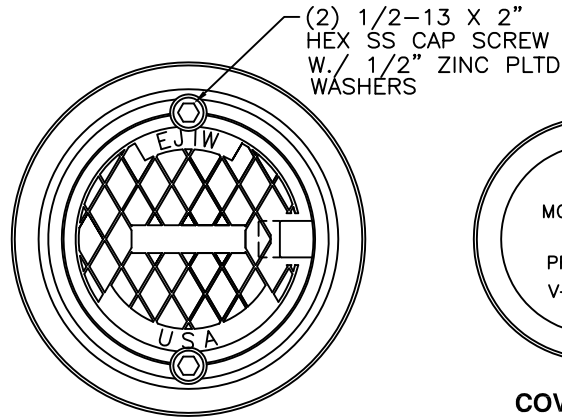
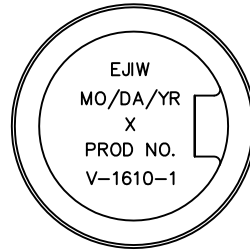


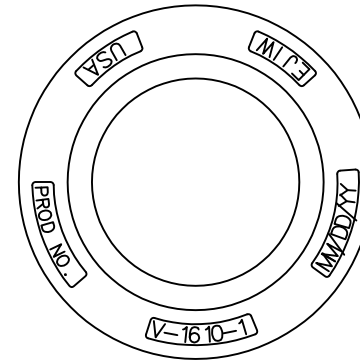
V-1610-1 ASSEMBLY



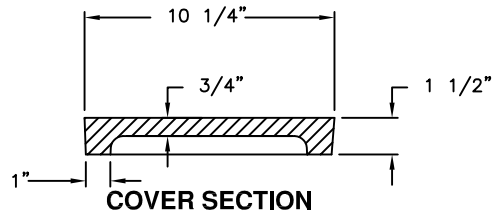
PLAN VIEW



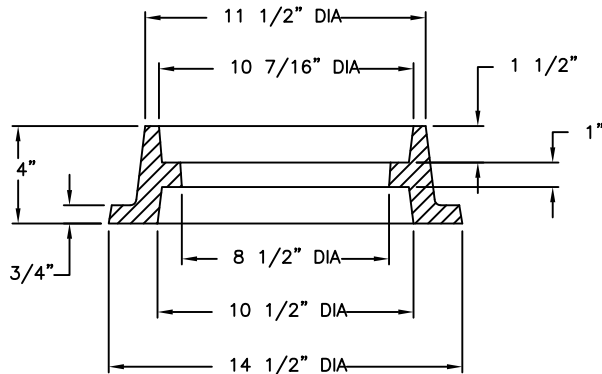
COVER BACK



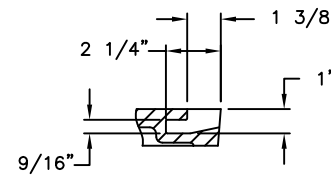
RING TOP FLANGE



COVER SECTION



RING SECTION



PICKHOLE DETAIL

NOTE:
RING IS REVERSIBLE AND CAN BE
INSTALLED AS A TOP FLANGE UNIT

PRODUCT NUMBER

41610102

DESIGN FEATURES

MATERIALS

COVER-GRAY IRON
ASTM A48 CL35B
FRAME-GRAY IRON
ASTM A48 CL35B

DESIGN LOAD
HEAVY DUTY

COATING
UNDIPPED

OPEN AREA
N/A

√ DESIGNATES MACHINED
SURFACE

REFERENCE INFORMATION

41610111
41610120

DRAWING DETAILS

ORIGINAL DRAWING: SBB 04/29/03

REVISED BY: JJD 08/04/10

Corporate
Headquarters
301 Spring Street
PO Box 439
East Jordan, MI
49727-0439
800.874.4100



Call Today for
More Information

800.626.4653

EJIW EAST JORDAN
IRON WORKS EST. 1883
WE COVER YOUR INFRASTRUCTURE

www.ejiw.com
MADE IN THE USA

- Weights (lbs./kg.), dimensions (inches/mm.), and drawings provided for your guidance.
- We reserve the right to modify specifications without prior notice.
- Uncontrolled distribution.

CONFIDENTIAL: This drawing is the property of East Jordan Iron works, Inc., and embodies confidential information, registered marks, trade secret information, and/or know how that is the property of East Jordan Iron Works, Inc. ©Copyright 2009 East Jordan Iron Works, Inc.