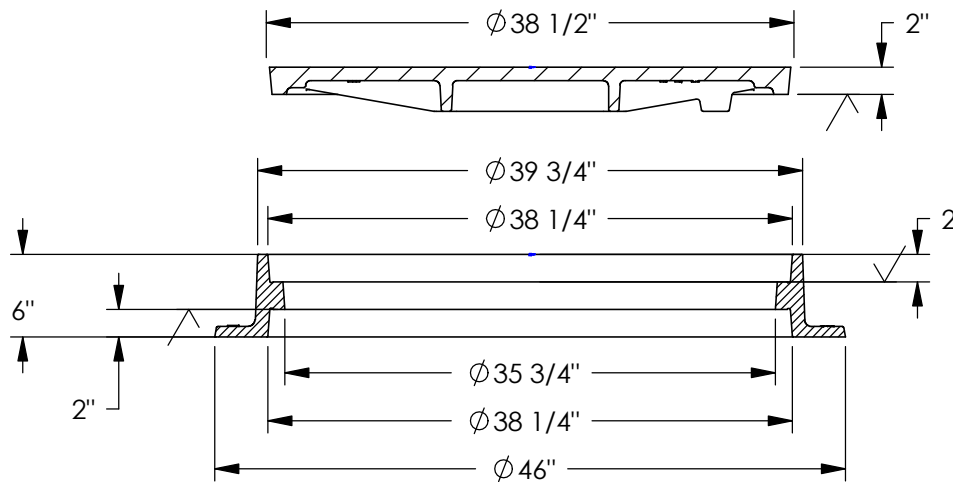
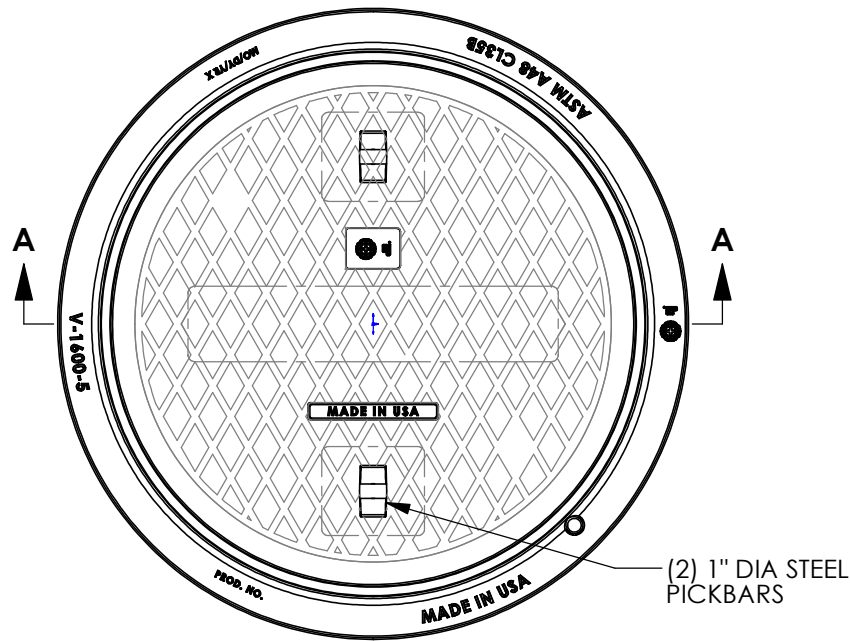


V1600-5 Assembly



SECTION A-A

Product Number

41600500

Design Features

- Materials
 - Frame
Gray Iron (CL35B)
 - Cover
Gray Iron (CL35B)

- Design Load
Heavy Duty
- Open Area
n/a
- Coating
Undipped
- √ Designates Machined Surface

Certification

- ASTM A48
- HS20
- Country of Origin: USA

Major Components

- 41600510
- 41600520

Drawing Revision

- 10/6/2009 Designer: DEW
- 5/4/2016 Revised By: MAH

Disclaimer

Weights (lbs/kg), dimensions (inches/mm) and drawings provided for your guidance. We reserve the right to modify specifications without prior notice.

CONFIDENTIAL: This drawing is the property of EJ Group, Inc. and embodies confidential information, registered marks, patents, trade secret information, and/or know-how that is the property of EJ Group, Inc. Copyright © 2012 EJ Group, Inc. All rights reserved.

Contact

800 626 4653
ejco.com