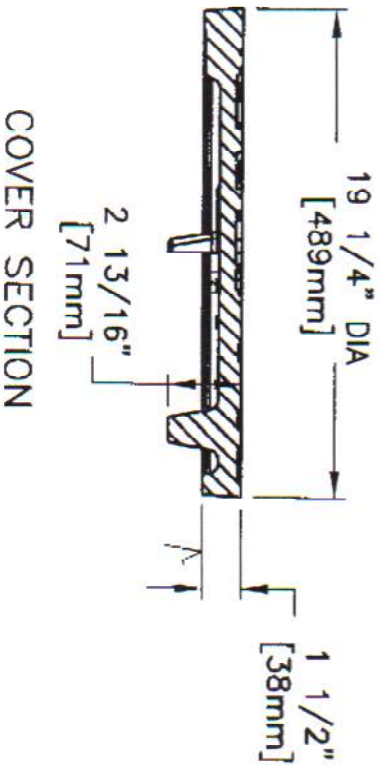
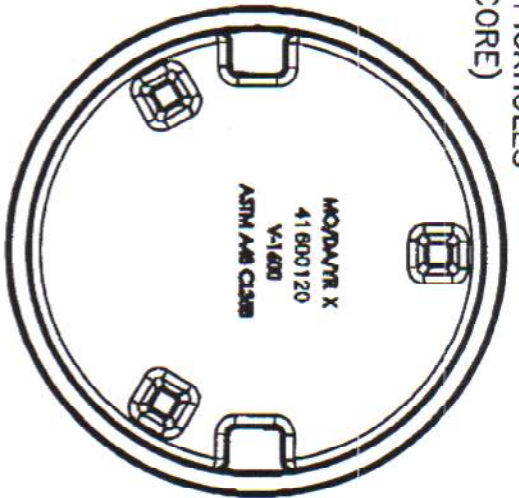
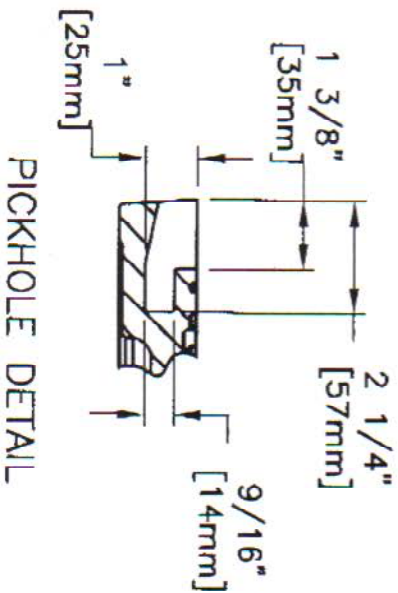


(2) CLOSED PICKHOLES
(10402010 CORE)



COVER SECTION



PICKHOLE DETAIL

MACHINED SURFACE

EAST JORDAN
IRON WORKS, INC.

P.O. BOX 439

EAST JORDAN, MI, 49727

1-800-874-4100

FAX 231-536-4458

DRAWN DATE

SBB 03/27/03

APPROVED DATE

V-1600-1 COVER

PRODUCT NO.

41600120

UNDIPPED

CATALOG NO.

V-1600-1 CV

REF. PRODUCT DRAWING

41600134

EST. WT.

COVER: 75 LBS 34kg

OPEN AREA

N/A

MAT'L SPEC.
COVER - GRAY IRON
ASTM A48 CL35B

LOAD RATING

HEAVY DUTY