

**EAST JORDAN  
IRON WORKS, INC.**  
 P.O. BOX 439  
 EAST JORDAN, MI. 49727  
 1-800-874-4100  
 FAX 231-536-4458

DRAWN DEW	DATE 07/09/01
APPROVED	DATE

**MANHOLE COVER**

PRODUCT NO.  
**41480120**

CATALOG NO.  
**V-1480-1**

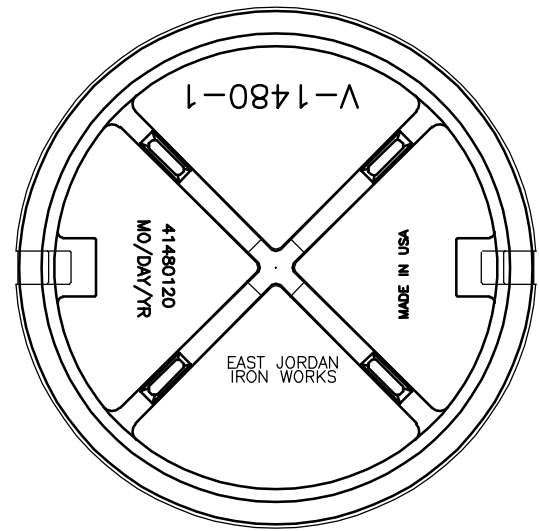
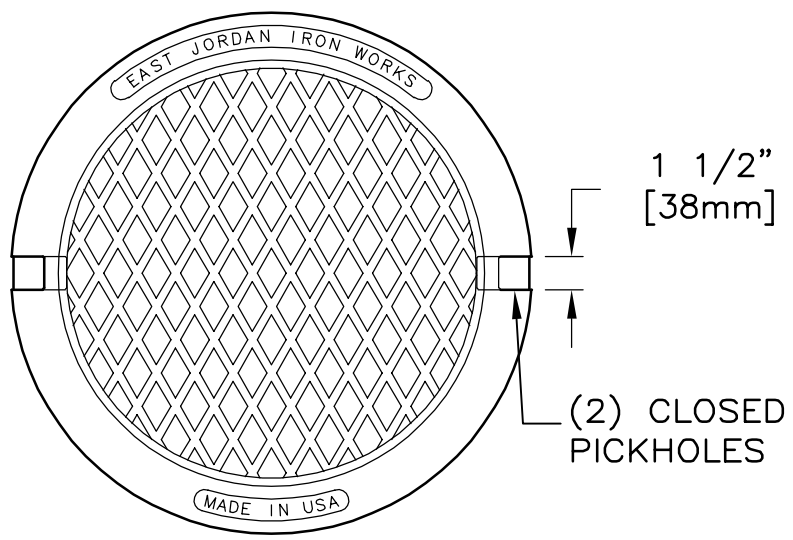
REF. PRODUCT DRAWING  
**41480120**

EST. WT.  
 COVER: 130 LBS 59kg

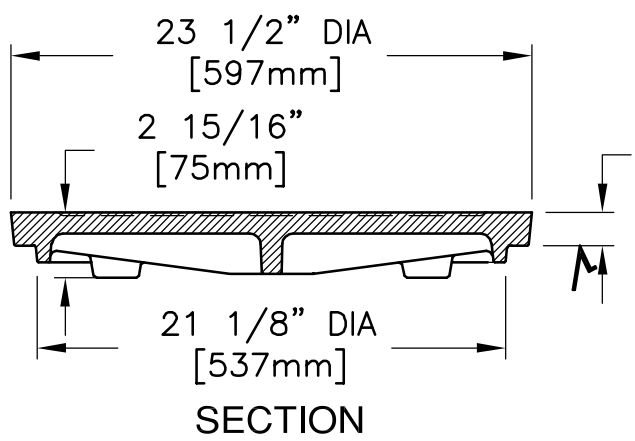
OPEN AREA  
 N/A

MAT'L SPEC.  
 COVER - GRAY IRON  
 ASTM A48 CL35

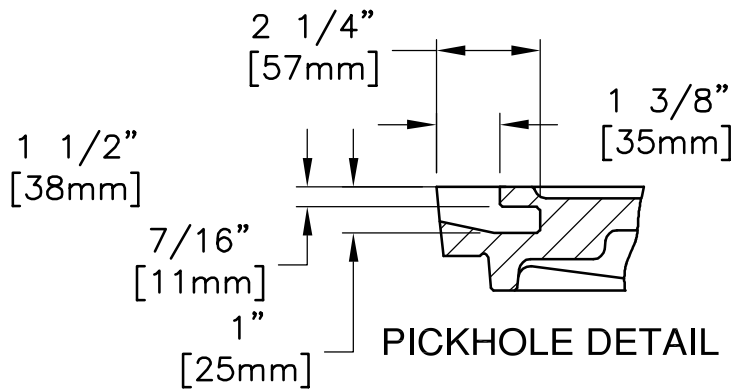
LOAD RATING  
**HEAVY DUTY**



**BOTTOM VIEW**



**SECTION**



**PICKHOLE DETAIL**

✓ MACHINED SURFACE