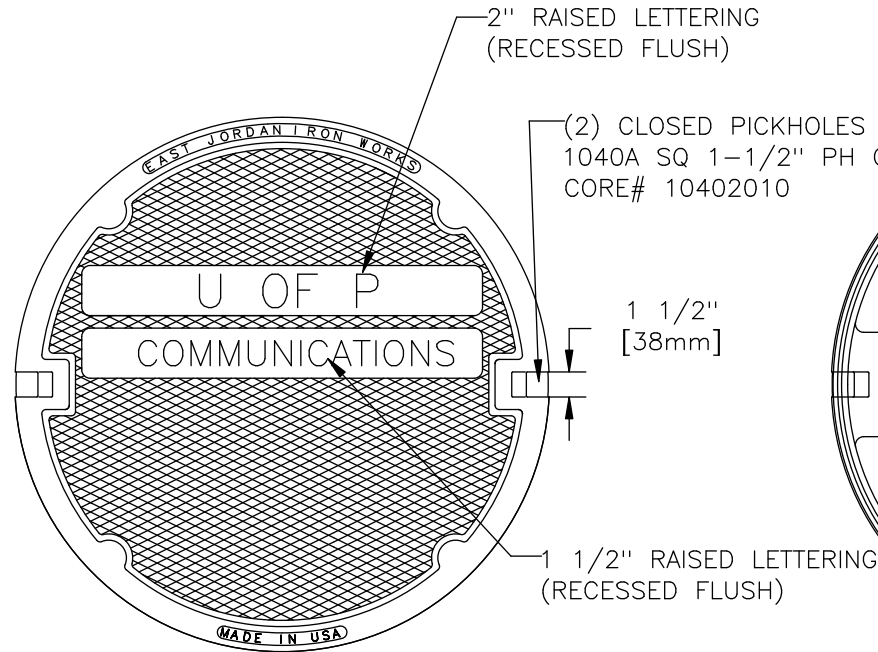
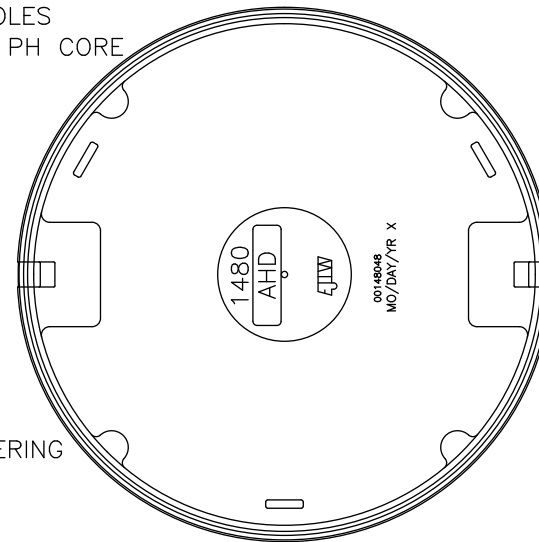


EAST JORDAN  
IRON WORKS, INC.  
P.O. BOX 439  
EAST JORDAN, MI. 49727  
1-800-874-4100  
FAX 231-536-4458

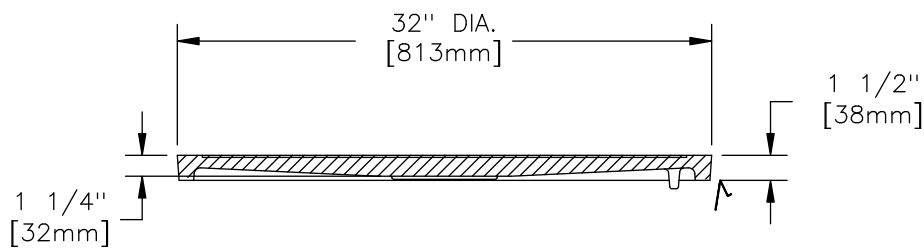
DRAWN TCL	DATE 12/29/03
APPROVED	DATE



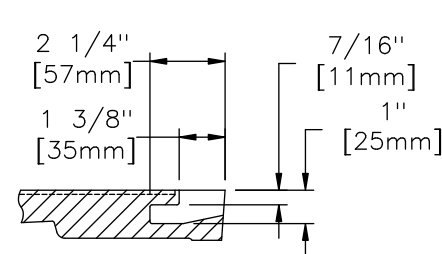
**PLAN VIEW**



**BOTTOM VIEW**



**SECTION VIEW**



**PICKHOLE & GROOVE  
DETAIL**

√ MACHINED SURFACE

**MANHOLE  
COVER**

PRODUCT NO.

**00148048**

CATALOG NO.

**1480AHD**

REF. PRODUCT DRAWING

**00148126**

EST. WT.

COVER: 215 LBS 98kg

OPEN AREA

N/A

MAT'L SPEC.

COVER — GRAY IRON  
ASTM A48 CL35B

LOAD RATING

HEAVY DUTY