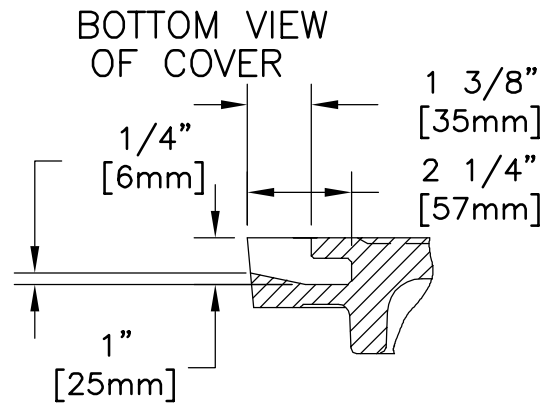


COVER SECTION



√ MACHINED SURFACE

EAST JORDAN
IRON WORKS, INC.
P.O. BOX 439
EAST JORDAN, MI. 49727
1-800-874-4100
FAX 231-536-4458

DRAWN TCL	DATE 03/25/02
--------------	------------------

APPROVED	DATE
----------	------

SPECIAL LETTERED
COVER

PRODUCT NO.

00104127

CATALOG NO.

1040A

REF. PRODUCT DRAWING

104127

EST. WT.

COVER: 150 LBS 68kg

OPEN AREA

N/A

MAT'L SPEC.

COVER - GRAY IRON
ASTM A48 CL35

LOAD RATING

HEAVY DUTY
HS-25