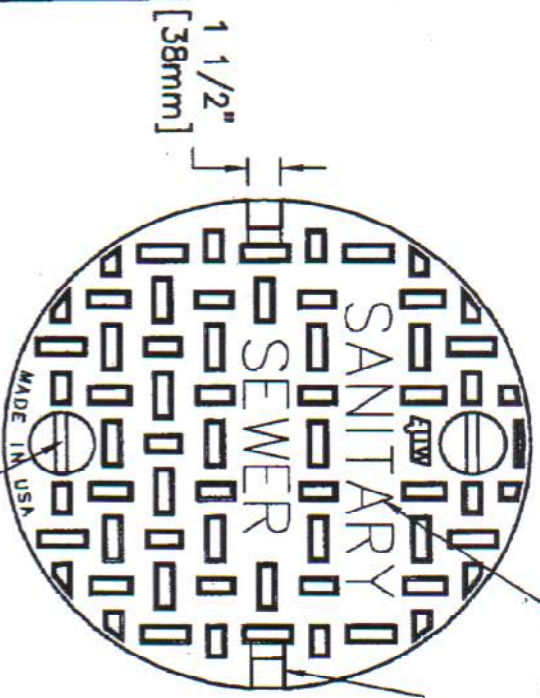
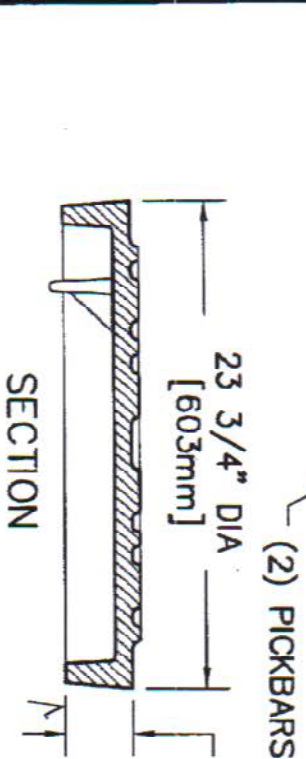
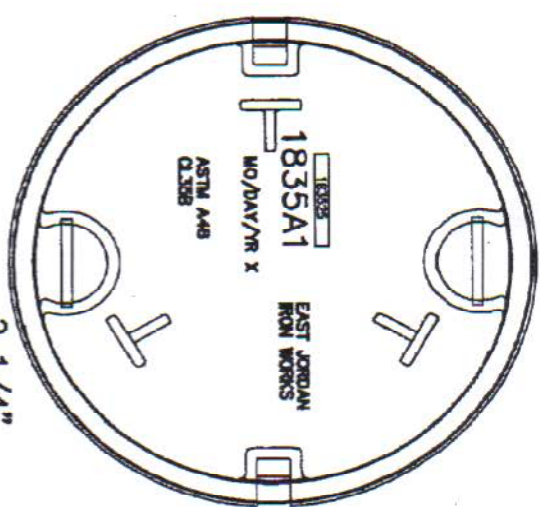


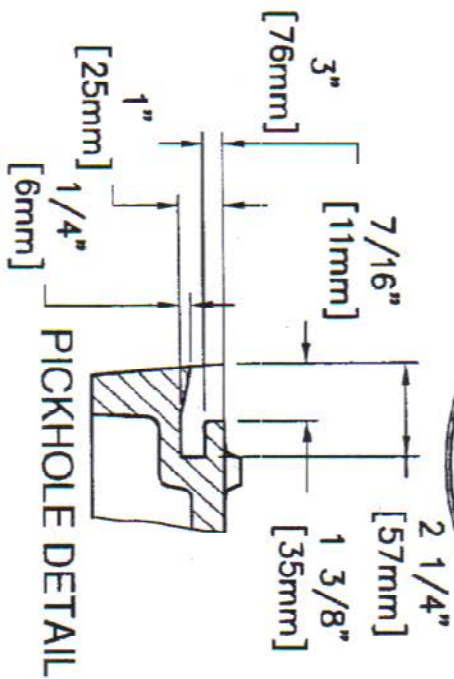
2" (51mm) LETTERS
(RAISED LETTERS)



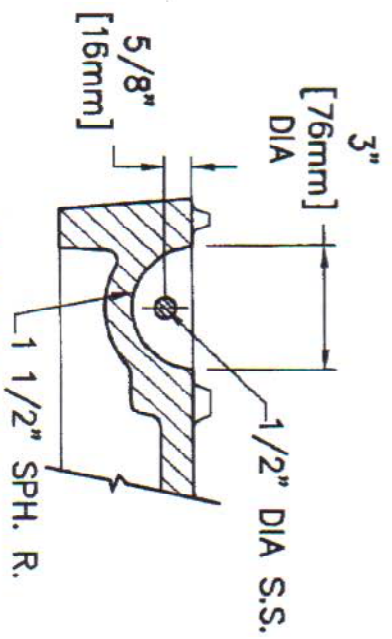
(2) CLOSED PICKHOLES



(2) PICKBARS



PICKHOLE DETAIL



PICKBAR DETAIL

**EAST JORDAN
IRON WORKS, INC.**
P.O. BOX 439
EAST JORDAN, MI. 49727
1-800-874-4100
FAX 231-536-4458

DRAWN	DATE
SBB	10/22/03
APPROVED	DATE

MANHOLE COVER

PRODUCT NO.
00183525
UNDIPPED

CATALOG NO.
1835A1

REF. PRODUCT DRAWING
183525

EST. WT.
COVER: **140 LBS 64kg**

OPEN AREA
N/A

MAT'L SPEC.
COVER - **GRAY IRON**
ASTM A48 CL35B

LOAD RATING
H-25 LOADING