

**EAST JORDAN
IRON WORKS, INC.**
 P.O. BOX 439
 EAST JORDAN, MI. 49727
 1-800-874-4100
 FAX 231-536-4458

DRAWN DEW	DATE 07/27/01
APPROVED	DATE

MANHOLE COVER

PRODUCT NO.
00208021
 UNDIPPED

CATALOG NO.
2080CGS

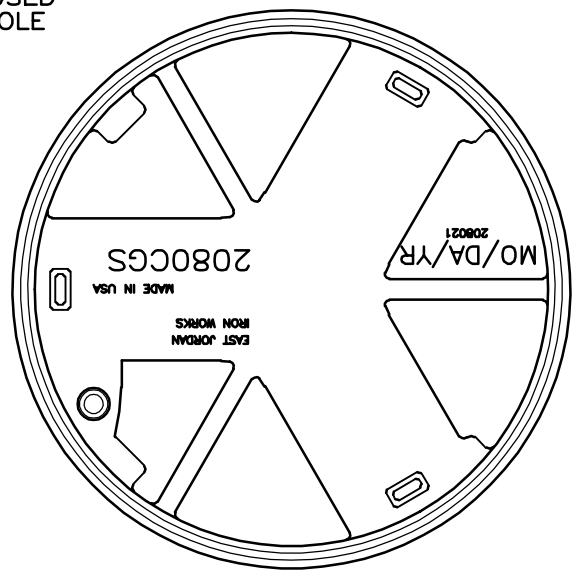
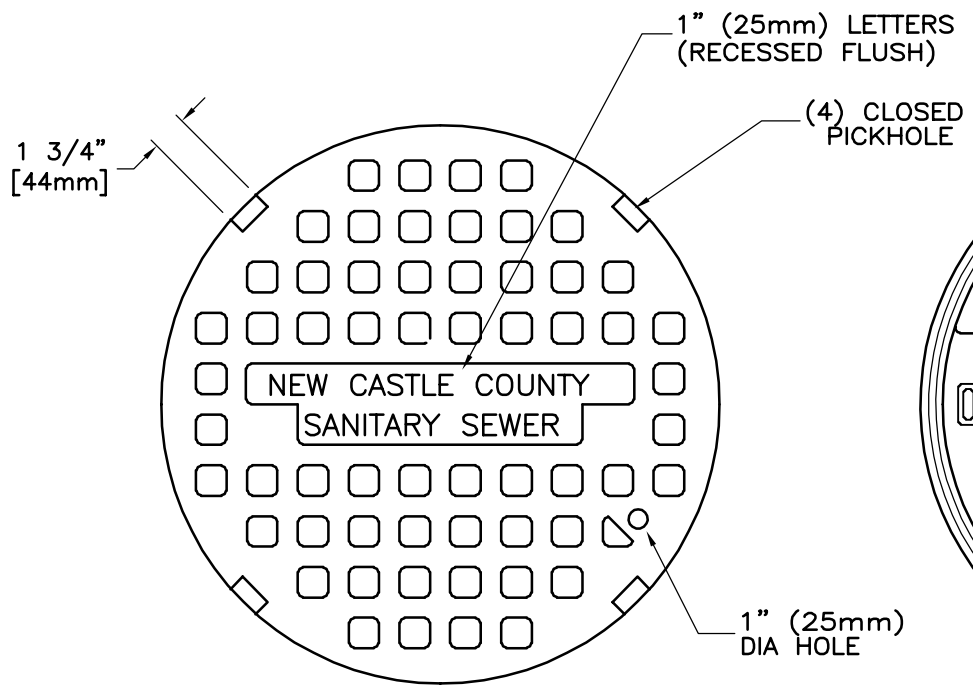
REF. PRODUCT DRAWING
 208020

EST. WT.
 COVER: 170 LBS 77kg

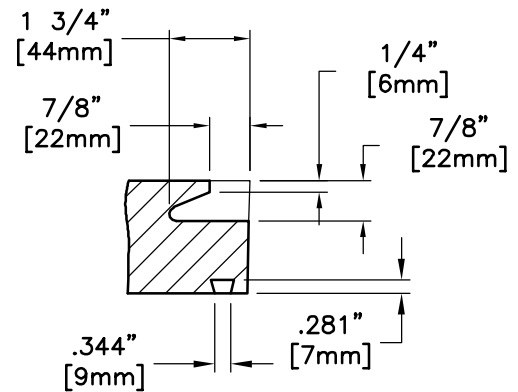
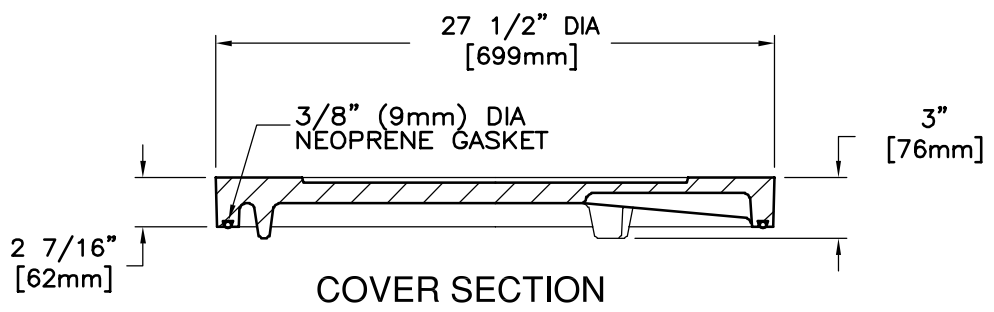
OPEN AREA
 N/A

MAT'L SPEC.
 COVER - GRAY IRON
 ASTM A48 CL35

LOAD RATING
HEAVY DUTY



**BOTTOM VIEW
OF COVER**



**PICKHOLE & GROOVE
DETAIL**

√ MACHINED SURFACE