

PRODUCT NUMBER

00182079

CATALOG NUMBER

**1810A1VH
1820ZVH**

**SB-30 MANHOLE
ASSEMBLY**

LOAD RATING

HEAVY DUTY

COATING

UNDIPPED

ESTIMATED WEIGHT

COVER: 285 LBS
FRAME: 300 LBS
UNIT: 585 LBS

MATERIAL SPECIFICATION

COVER - GRAY IRON
ASTM A48 CL35B
FRAME - GRAY IRON
ASTM A48 CL35B

OPEN AREA
N/A

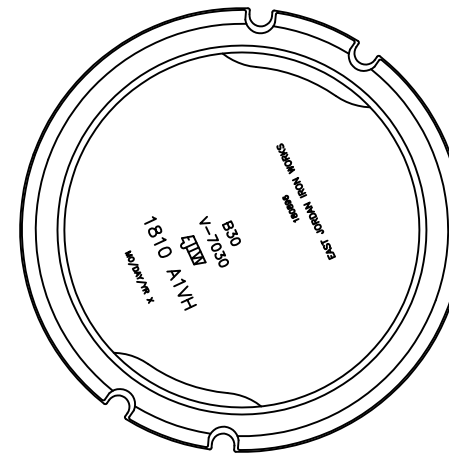
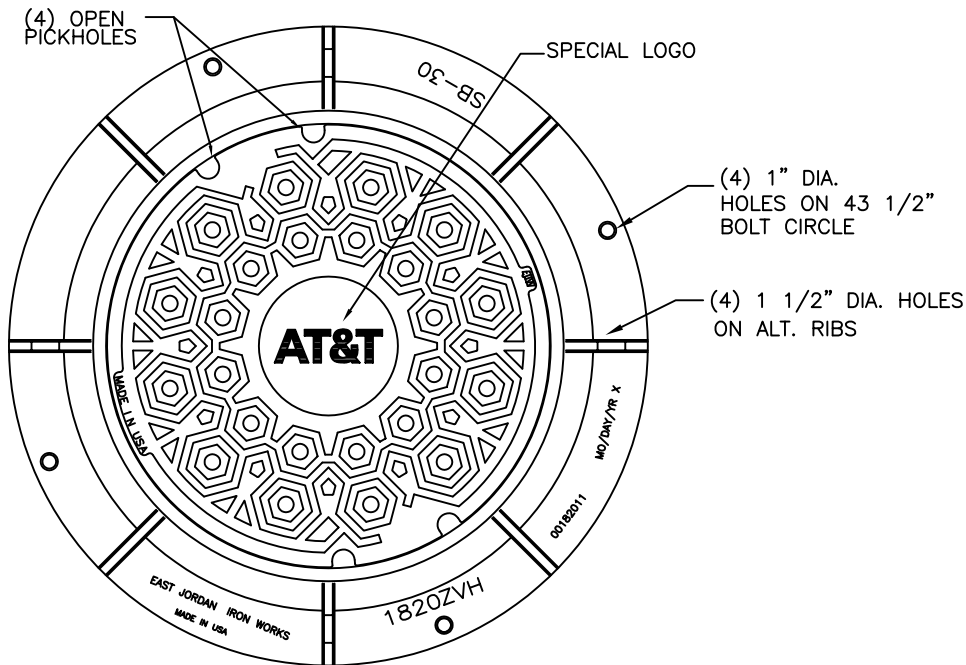
√ DESIGNATES MACHINED
SURFACE

DRAWN DEW	DATE 07/18/07
--------------	------------------

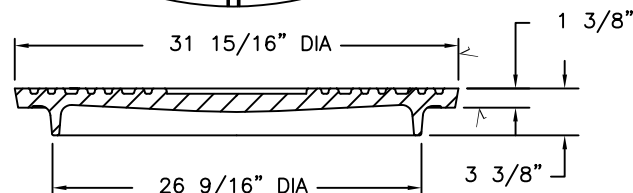
LAST REVISED KKP	DATE 08/14/08
---------------------	------------------

REFERENCE INFORMATION

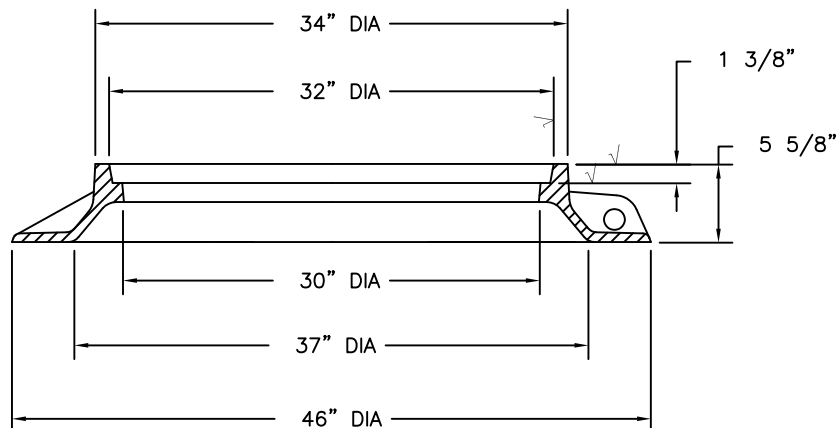
00182011
00180896



BOTTOM OF COVER



COVER SECTION



FRAME SECTION