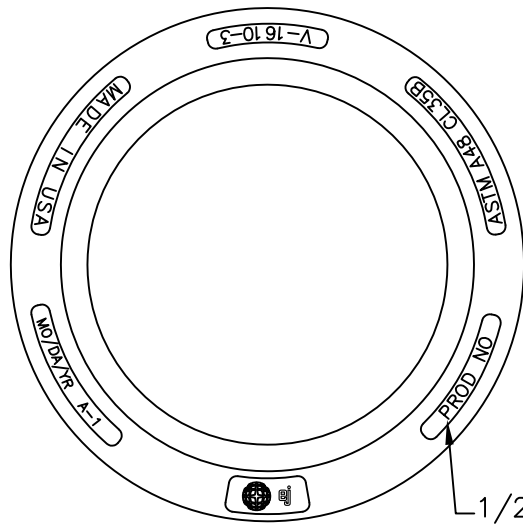
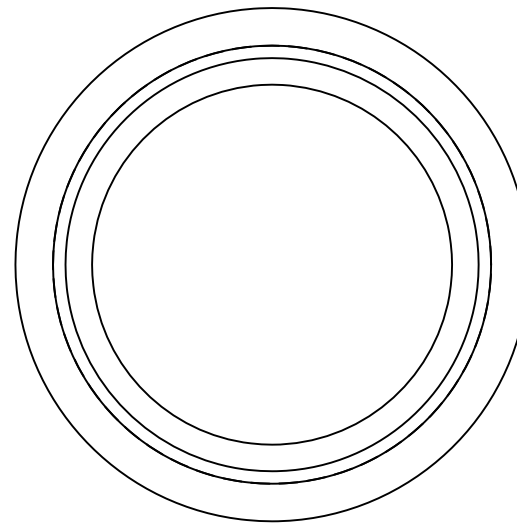


V1610-3 Cleanout/Monument Box Frame

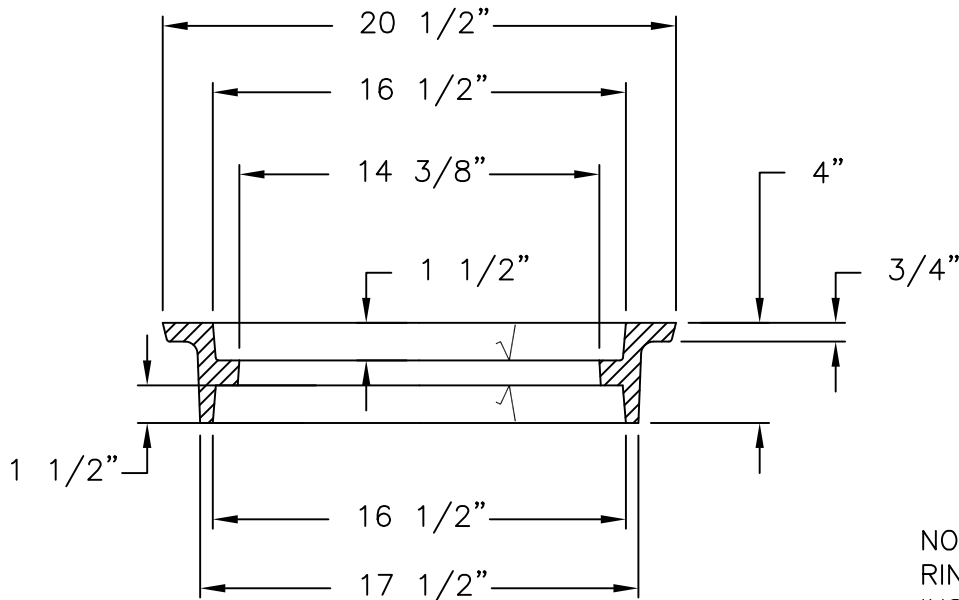


RING TOP FLANGE

1/2" SHARP FACE
GOTHIC (4) PLACES



RING BOTTOM FLANGE



RING SECTION

NOTE:
RING IS REVERSIBLE AND CAN BE
INSTALLED AS A BOTTOM FLANGE UNIT.

Product Number

41610310

Design Features

- Materials
Gray Iron (CL35B)
- Design Load
Heavy Duty
- Open Area
n/a
- Coating
Undipped
- √ Designates Machined Surface

Certification

- ASTM A48
-
-
- Country of Origin:USA

Drawing Revision

12/12/2003 Designer: BAI
03/25/2014 Revised By: DAE

Disclaimer

Weights (lbs./kg) dimensions (inches/mm) and drawings provided for your guidance. We reserve the right to modify specifications without prior notice.

CONFIDENTIAL: This drawing is the property of EJ GROUP, Inc., and embodies confidential information, registered marks, patents, trade secret information, and/or know how that is the property of EJ GROUP, Inc. Copyright © 2012 EJ GROUP, Inc. All rights reserved.

Contact

800 626 4653
ejco.com