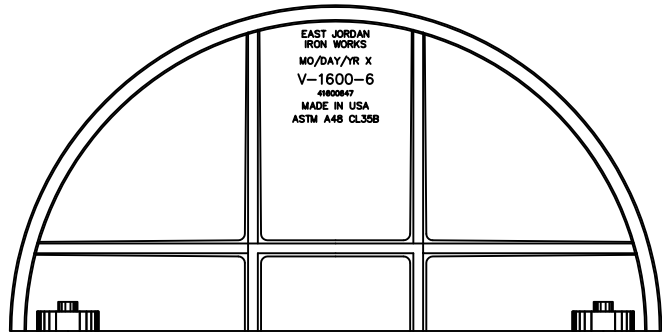
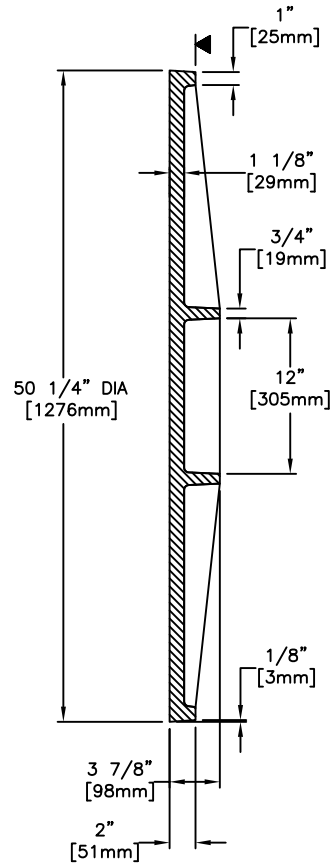


COVER TOP VIEW

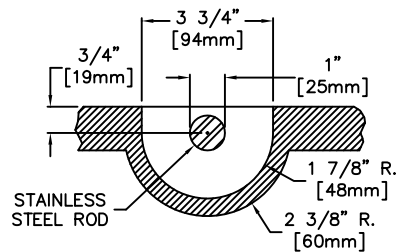
▼ MACHINED BEARING SURFACE



COVER BACK HALF PLAN



COVER SECTION



(2) TYPE 4 STEEL PICKBARS
PICKBAR DETAIL

▼ MACHINED BEARING SURFACE

EJIW EAST JORDAN
IRON WORKS EST.1883

800-626-4653
www.ejiw.com
MADE IN USA

PRODUCT NUMBER

41600620

CATALOG NUMBER

V-1600-6

**MANHOLE
COVER**

LOAD RATING

HEAVY DUTY

COATING

UNDIPPED

ESTIMATED WEIGHT

COVER: 728 LBS

MATERIAL SPECIFICATION

COVER - GRAY IRON
ASTM A48 CL35B

OPEN AREA
N/A

√ DESIGNATES MACHINED
SURFACE

DRAWN

DEW

DATE

02/15/01

LAST REVISED

SBB

DATE

10/17/07

REFERENCE INFORMATION