

1581Z FRAME

PRODUCT NUMBER

00158111

DESIGN FEATURES

MATERIALS

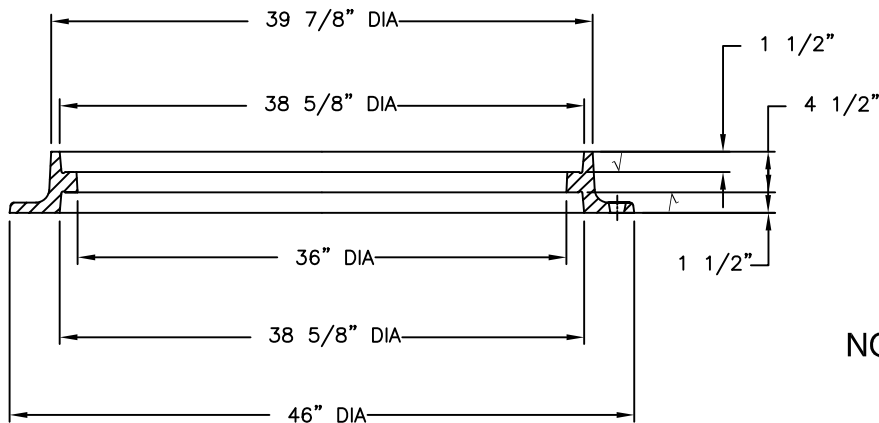
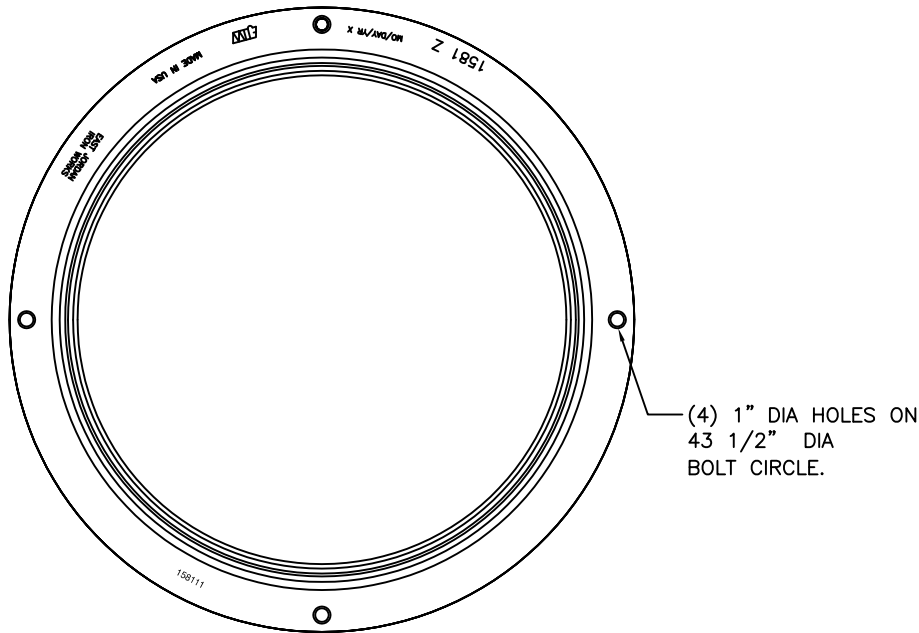
FRAME-GRAY IRON
ASTM A48 CL35B

DESIGN LOAD
HEAVY DUTY
H-20 LOADING

COATING
UNDIPPED

OPEN AREA
N/A

√ DESIGNATES MACHINE SURFACE



FRAME SECTION

NOTE: FRAME IS REVERSIBLE.

Corporate
Headquarters
301 Spring Street
PO Box 439
East Jordan, MI
49727-0439
800.874.4100



Call Today for
More Information

800.626.4653

EJIW EAST JORDAN
IRON WORKS EST. 1883
WE COVER YOUR INFRASTRUCTURE

www.ejiw.com
MADE IN THE USA

DRAWING DETAILS

ORIGINAL DRAWING: SBB 9/25/03

REVISED BY: DEW 04/22/10

- Weights (lbs./kg.), dimensions (inches/mm.), and drawings provided for your guidance.
- We reserve the right to modify specifications without prior notice.
- Uncontrolled distribution.

CONFIDENTIAL: This drawing is the property of East Jordan Iron works, Inc., and embodies confidential information, registered marks, trade secret information, and/or know how that is the property of East Jordan Iron Works, Inc. ©Copyright 2009 East Jordan Iron Works, Inc.