

1580AGS COVER

PRODUCT NUMBER

00157996

DESIGN FEATURES

MATERIALS

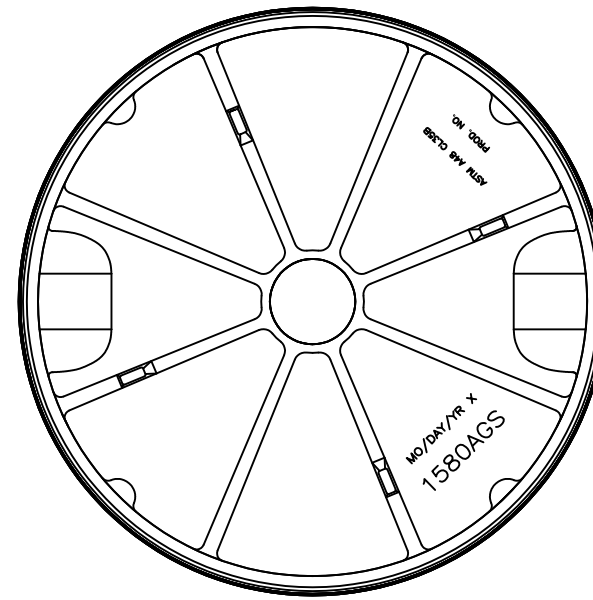
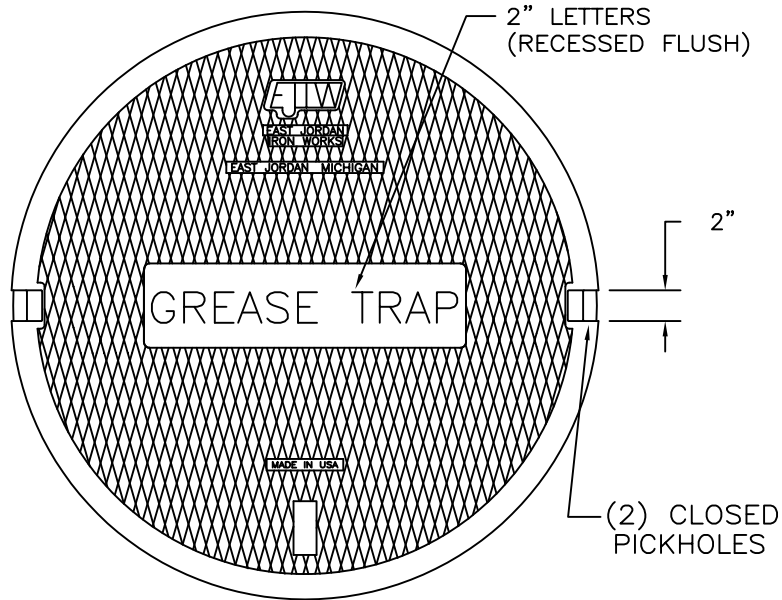
COVER-GRAY IRON
ASTM A48 CL35B

DESIGN LOAD
HEAVY DUTY

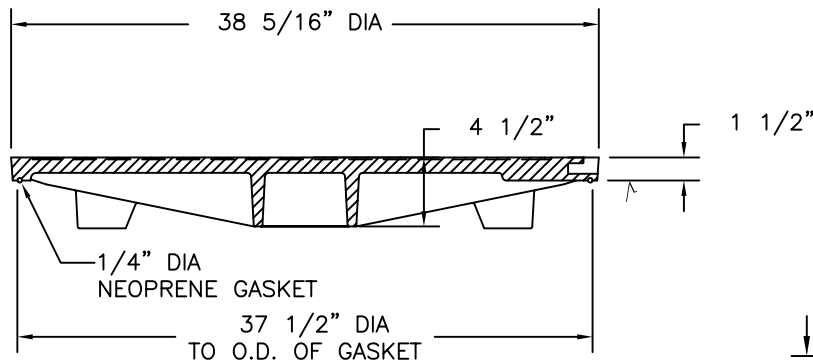
COATING
UNDIPPED

OPEN AREA
N/A

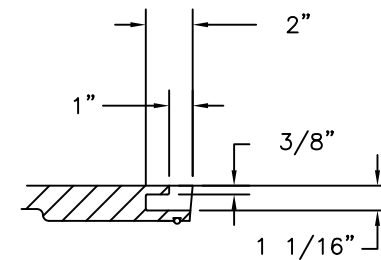
√ DESIGNATES MACHINED SURFACE



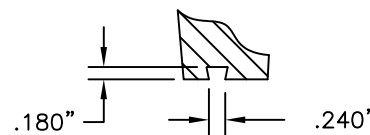
BOTTOM VIEW



COVER SECTION



PICKHOLE
DETAIL



GROOVE DETAIL

Corporate
Headquarters
301 Spring Street
PO Box 439
East Jordan, MI
49727-0439
800.874.4100



Call Today for
More Information

800.626.4653

EJIW EAST JORDAN
IRON WORKS EST 1883
WE COVER YOUR INFRASTRUCTURE

www.ejiw.com
MADE IN THE USA

DRAWING DETAILS

ORIGINAL DRAWING: DEF 08/24/11

REVISED BY:

- Weights (lbs./kg.), dimensions (inches/mm.), and drawings provided for your guidance.
- We reserve the right to modify specifications without prior notice.
- Uncontrolled distribution.

CONFIDENTIAL: This drawing is the property of East Jordan Iron works, Inc., and embodies confidential information, registered marks, trade secret information, and/or know how that is the property of East Jordan Iron Works, Inc. ©Copyright 2009 East Jordan Iron Works, Inc.