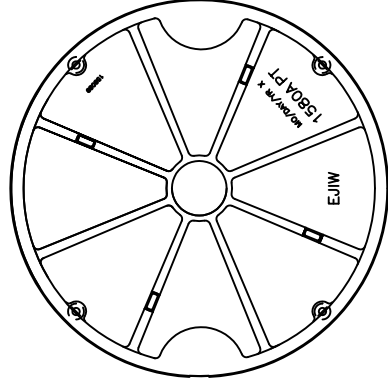
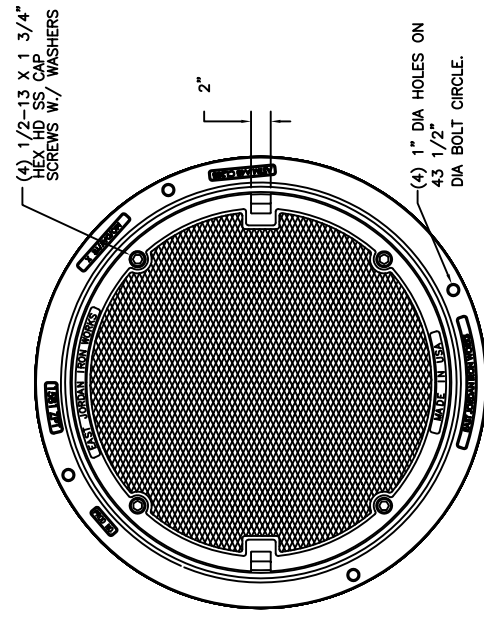


1580APT 1581ZPT Assembly



Product Number

00158167

Design Features

- Materials
- Cover
 Gray Iron (CL35B)
- Frame
 Gray Iron (CL35B)

- Design Load
 Heavy Duty
- Open Area
 n/a
- Coating
 Dipped
- √ Designates Machined Surface

Certification

-
-
- Country of Origin: USA

Major Components

00158089
00158116

Drawing Revision

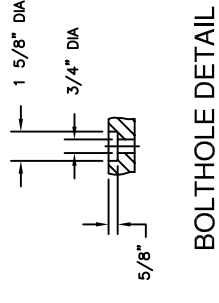
9/30/2003 Designer: SBB
9/25/2013 Revised By: MAH

Disclaimer

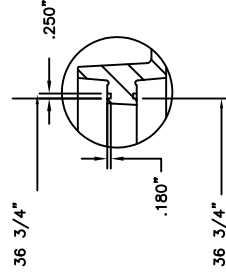
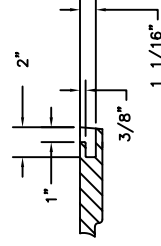
Weights (lbs./kg) dimensions (inches/mm) and drawings provided for your guidance. We reserve the right to modify specifications without prior notice.
CONFIDENTIAL: This drawing is the property of EJ GROUP, Inc., and embodies confidential information, registered marks, patents, trade secret information, and/or know how that is the property of EJ GROUP, Inc. Copyright © 2012 EJ GROUP, Inc. All rights reserved.

Contact

800 626 4653
ejco.com



PICKHOLE DETAIL



GROOVE DETAIL
NOTE: FRAME IS REVERSIBLE.

