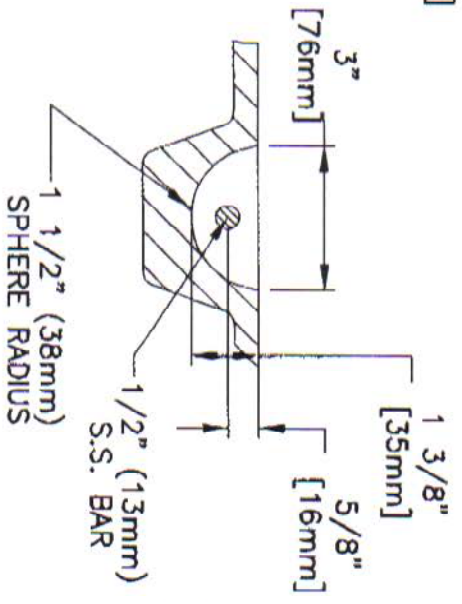
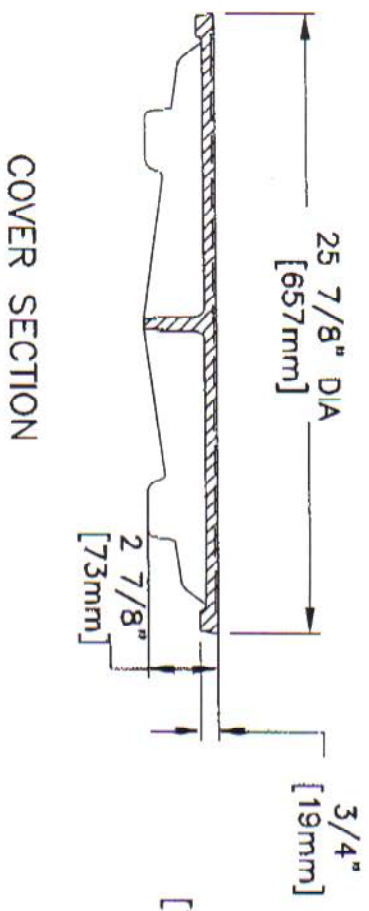


BOTTOM VIEW OF COVER



EAST JORDAN IRON WORKS, INC.
 P.O. BOX 439
 EAST JORDAN, MI. 49727
 1-800-874-4100
 FAX 231-536-4458

DRAWN	DATE
SBB	10/25/00
APPROVED	DATE

LIGHT DUTY COVER

PRODUCT NO.
 00292020

CATALOG NO.
 2920A

REF. PRODUCT DRAWING
 292020

EST. WT.

COVER: 75 LBS 34kg

OPEN AREA
 N/A

MAT'L SPEC.
 COVER - GRAY IRON
 ASTM A48 CL35

LOAD RATING
 LIGHT DUTY