

**EAST JORDAN  
IRON WORKS, INC.**  
P.O. BOX 439  
EAST JORDAN, MI 49727  
1-800-874-4100  
FAX 231-536-4458

DRAWN  
TCL

DATE  
04/08/03

APPROVED

DATE

SPECIAL LETTERED  
COVER

PRODUCT NO.

**00104172**

DIPPED

CATALOG NO.

**1040AGS**

REF. PRODUCT DRAWING

104172

EST. WT.

COVER: 145 LBS 66kg

OPEN AREA

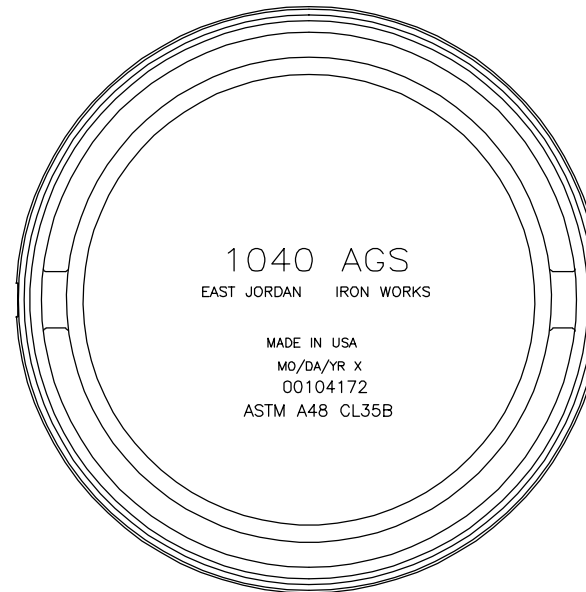
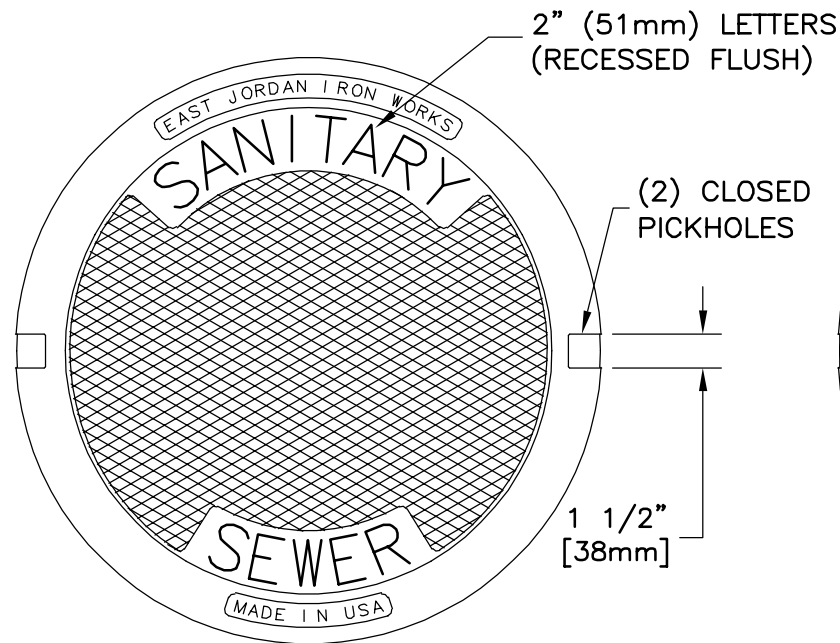
N/A

MAT'L SPEC.

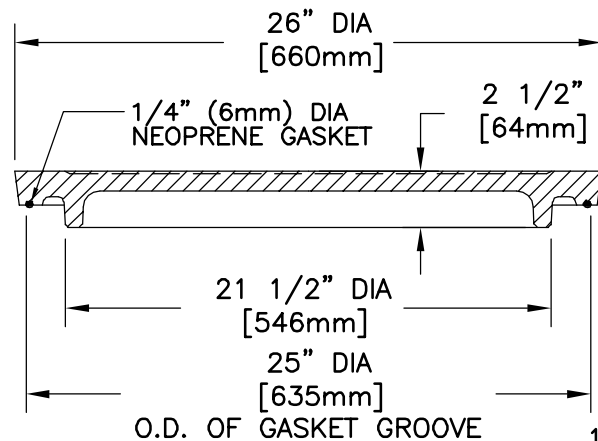
COVER - GRAY IRON  
ASTM A48 CL35

LOAD RATING

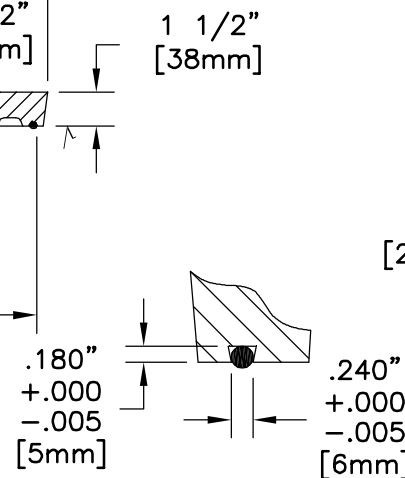
**HEAVY DUTY**  
(HS-25)



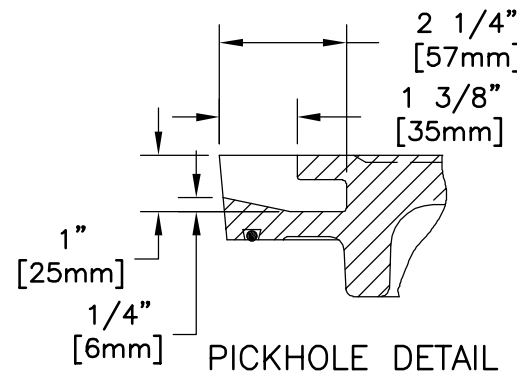
**BOTTOM VIEW  
OF COVER**



**COVER SECTION**



**GROOVE DETAIL**



∇ MACHINED SURFACE