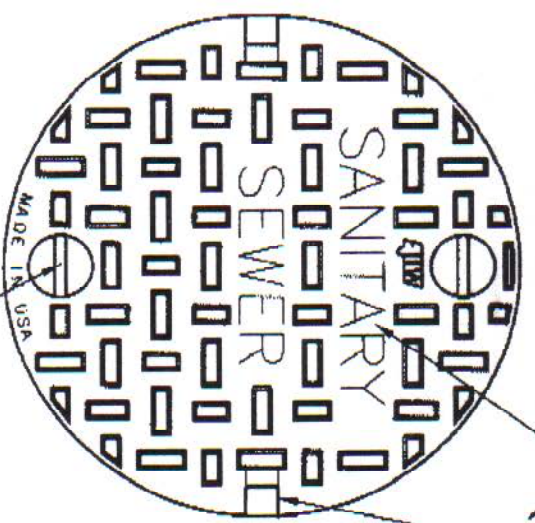


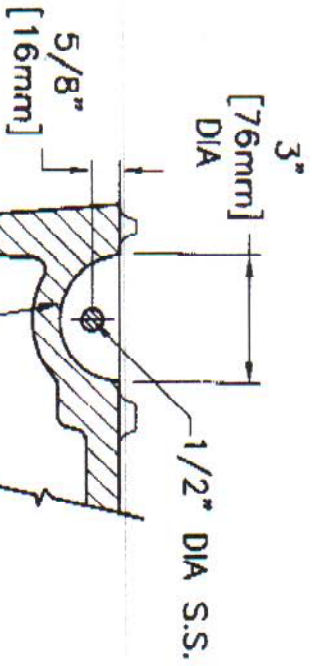
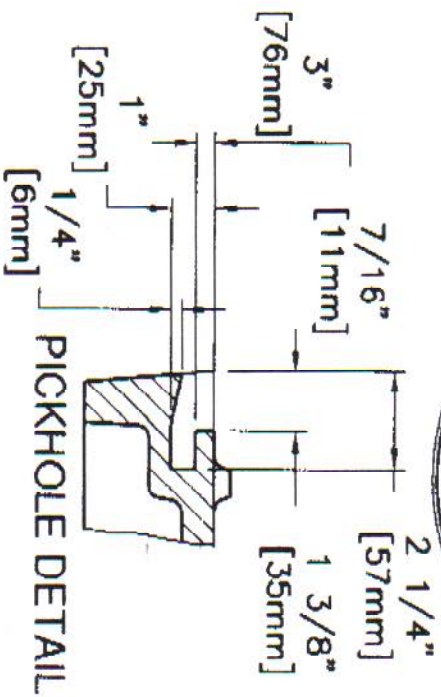
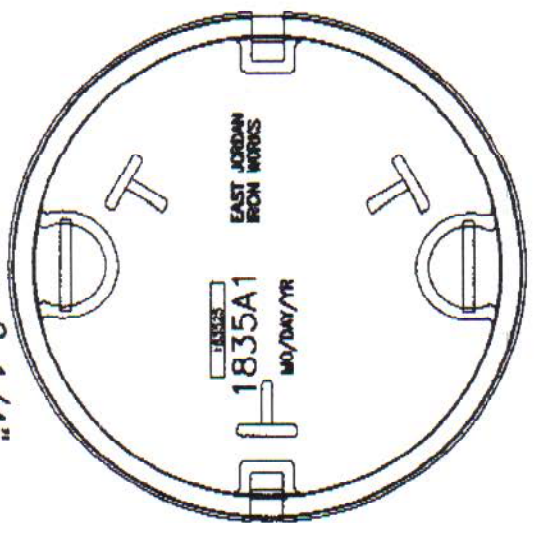
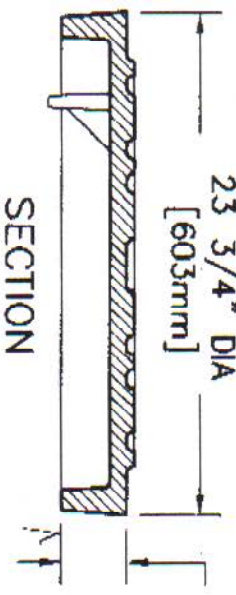
1 1/2" [38mm]



2" (51mm) LETTERS (RAISED LETTERS)

(2) CLOSED PICKHOLES

(2) PICKBARS



PICKBAR DETAIL

To: Rawl

MACHINED SURFACE

EAST JORDAN
IRON WORKS, INC.
P.O. BOX 439
EAST JORDAN, MI. 49727
1-800-874-4100
FAX 231-536-4458

DRAWN	DATE
DEW	09/21/00
APPROVED	DATE

MANHOLE COVER

PRODUCT NO.

00183525

CATALOG NO.

1835A1

REF. PRODUCT DRAWING

183525

EST. WT.

COVER: 150 LBS 68kg

OPEN AREA

N/A

MAT'L SPEC.
COVER - GRAY IRON
ASTM A48 CL35

LOAD RATING

H-25 LOADING