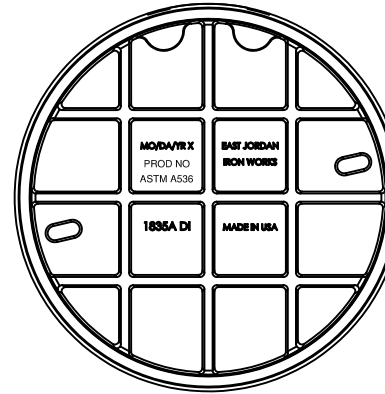
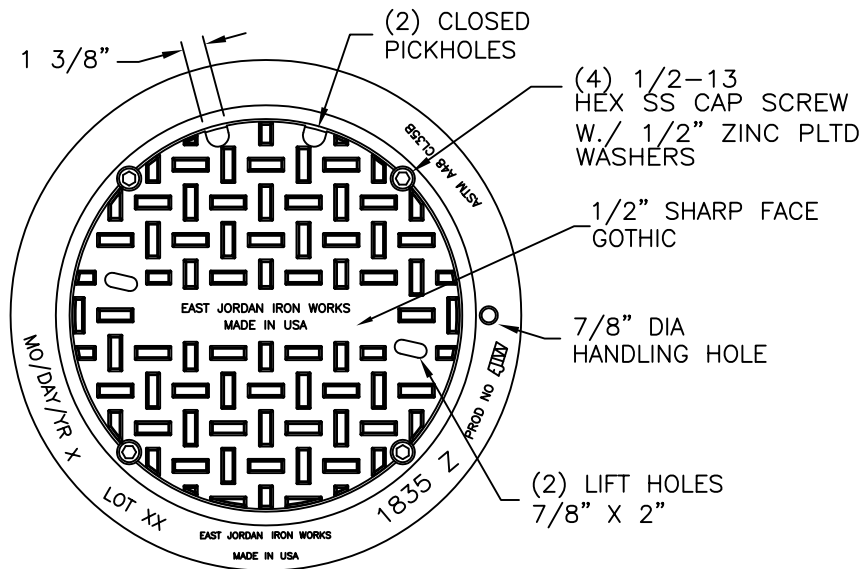
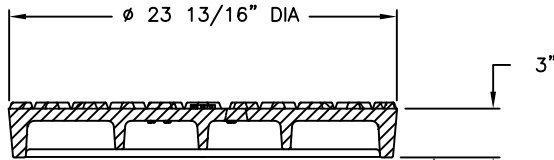


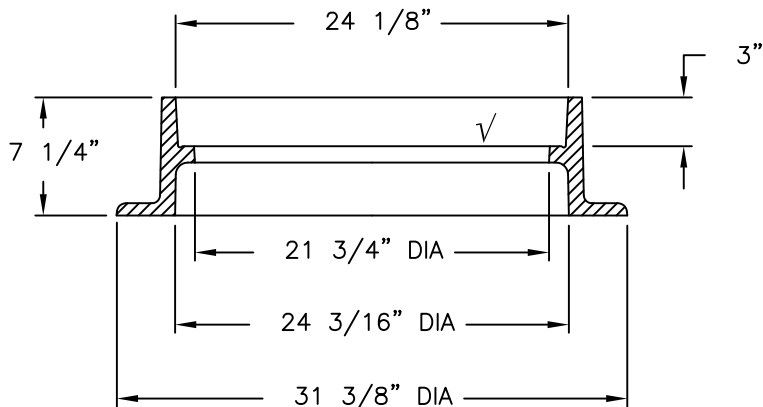
1835Z 1835A Assembly



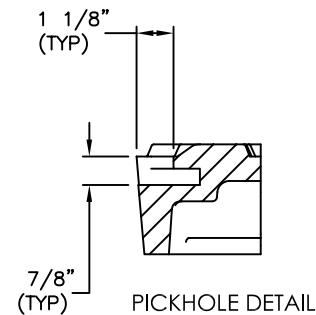
BOTTOM VIEW



COVER SECTION



FRAME SECTION



PICKHOLE DETAIL

Product Number

00183501

Design Features

- Materials
 - Frame Gray Iron (CL35B)
 - Cover Ductile Iron (70-50-05)

- Design Load Heavy Duty
- Open Area n/a
- Coating Undipped
- √ Designates Machined Surface

Certification

- ASTM A48
- ASTM A536
- Country of Origin: USA

Major Components

00183511
00183522

Drawing Revision

11/16/2004 Designer: SBB
02/26/2013 Revised By: DJH

Disclaimer

Weights (lbs./kg) dimensions (inches/mm) and drawings provided for your guidance. We reserve the right to modify specifications without prior notice.

CONFIDENTIAL: This drawing is the property of EJ GROUP, Inc., and embodies confidential information, registered marks, patents, trade secret information, and/or know how that is the property of EJ GROUP, Inc. Copyright © 2012 EJ GROUP, Inc. All rights reserved.

Contact

800 626 4653
ejco.com