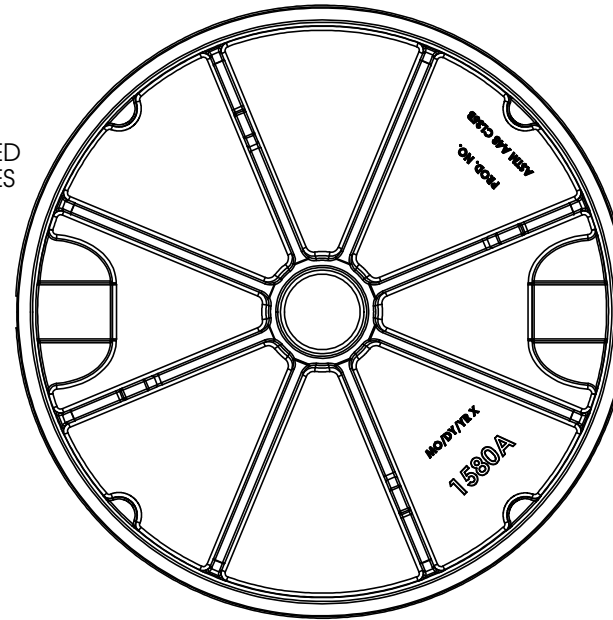
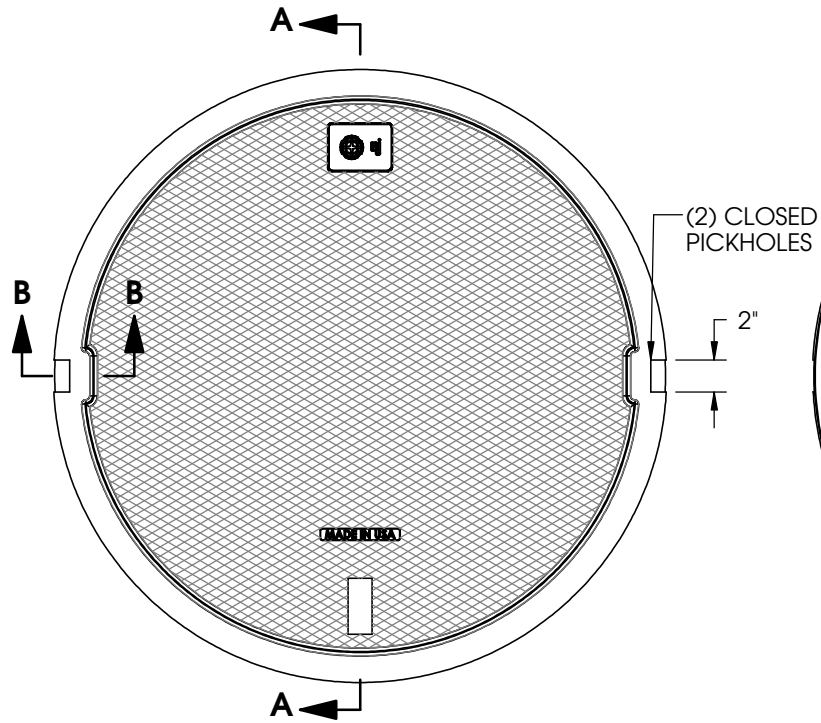
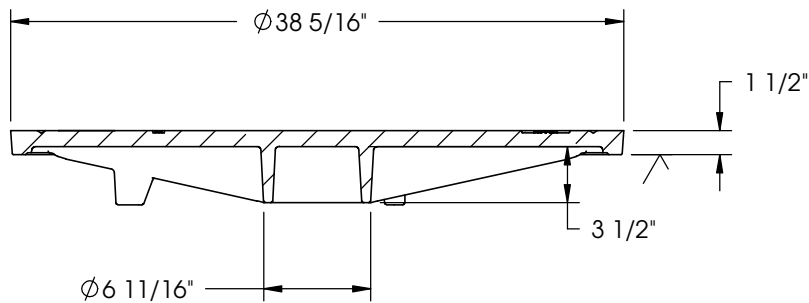


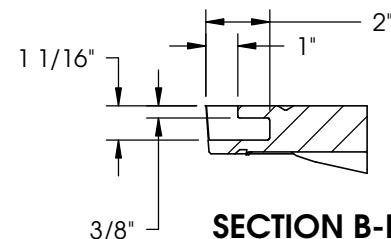
# 1580A Cover



**BOTTOM VIEW**



**SECTION A-A**



**SECTION B-B  
SCALE 1 : 6**

**Product Number**

00158025

**Design Features**

- Materials  
Gray Iron (CL35B)
- Design Load  
Heavy Duty
- Open Area  
n/a
- Coating  
Dipped
- √ Designates Machined Surface

**Certification**

- ASTM A48
- 
- Country of Origin: USA

**Drawing Revision**

7/21/2009 Designer: GAD  
11/25/2013 Revised By: DEF

**Disclaimer**

Weights (lbs/kg), dimensions (inches/mm) and drawings provided for your guidance. We reserve the right to modify specifications without prior notice.

CONFIDENTIAL: This drawing is the property of EJ Group, Inc. and embodies confidential information, registered marks, patents, trade secret information, and/or know how that is the property of EJ Group, Inc. Copyright © 2012 EJ Group, Inc. All rights reserved.

**Contact**

800 626 4653  
ejco.com