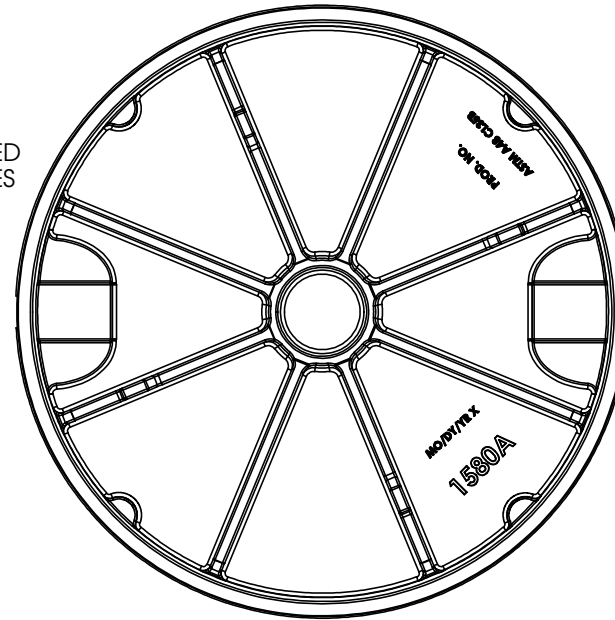
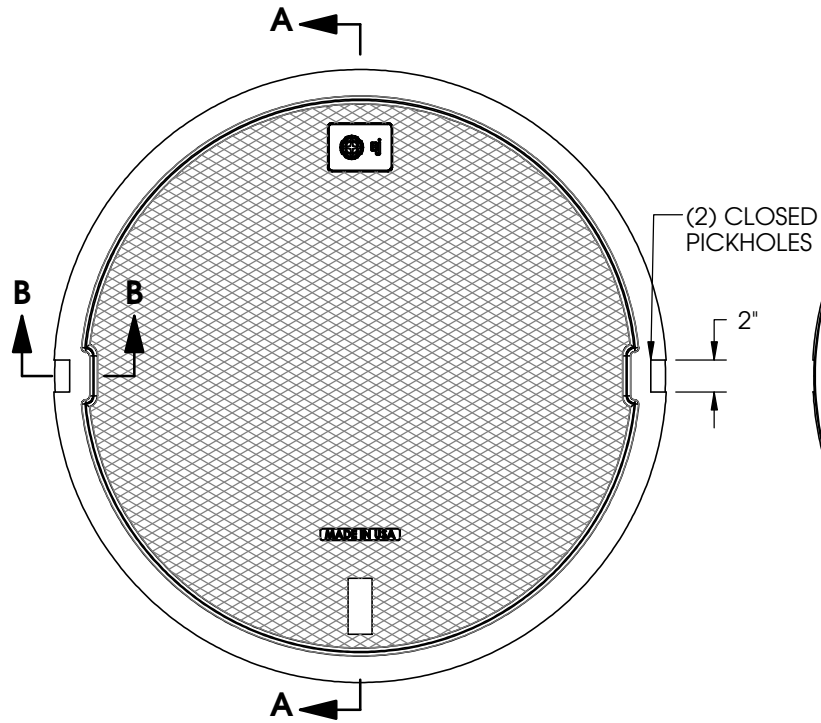
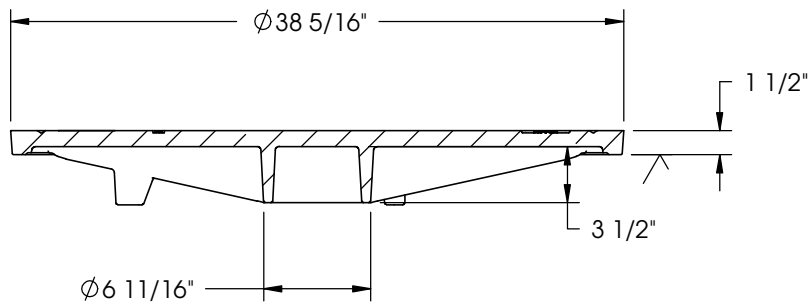


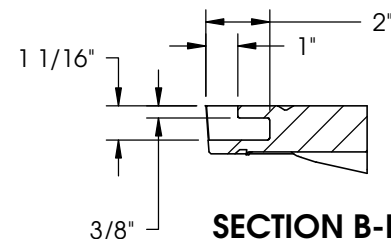
1580A Cover



BOTTOM VIEW



SECTION A-A



**SECTION B-B
SCALE 1 : 6**

Product Number

00158025

Design Features

- Materials
Gray Iron (CL35B)
- Design Load
Heavy Duty
- Open Area
n/a
- Coating
Dipped
- √ Designates Machined Surface

Certification

- ASTM A48
-
- Country of Origin: USA

Drawing Revision

7/21/2009 Designer: GAD
11/25/2013 Revised By: DEF

Disclaimer

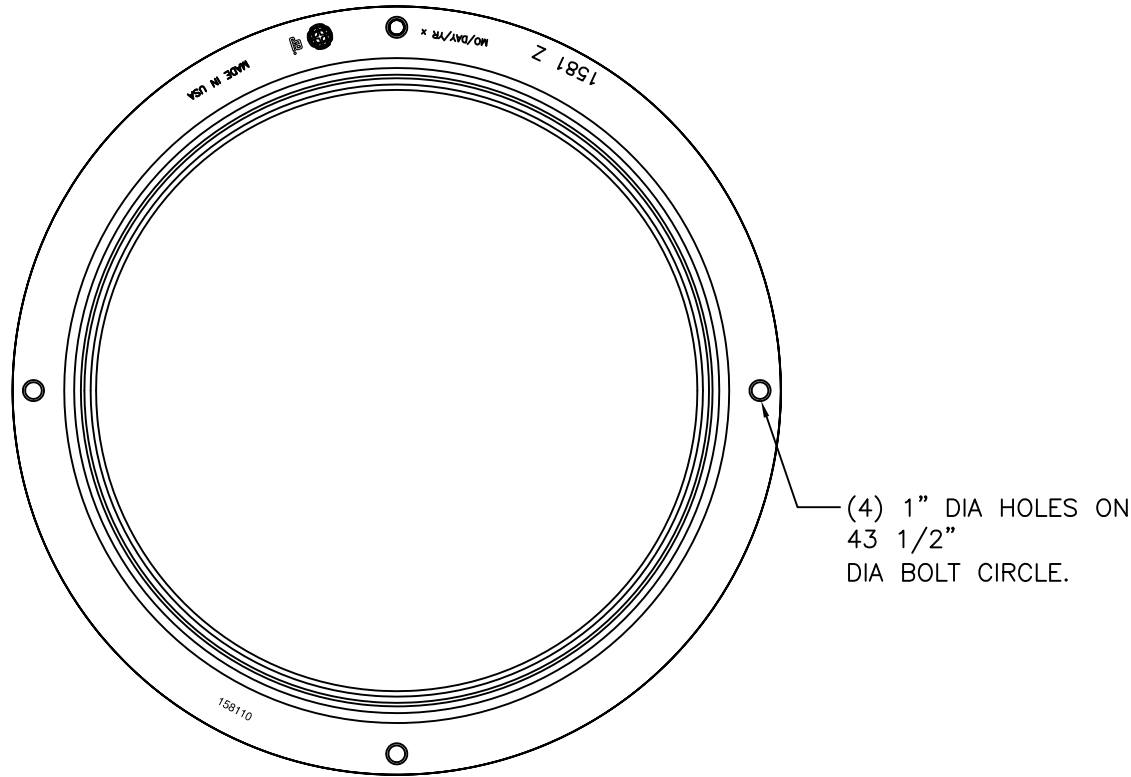
Weights (lbs/kg), dimensions (inches/mm) and drawings provided for your guidance. We reserve the right to modify specifications without prior notice.

CONFIDENTIAL: This drawing is the property of EJ Group, Inc. and embodies confidential information, registered marks, patents, trade secret information, and/or know how that is the property of EJ Group, Inc. Copyright © 2012 EJ Group, Inc. All rights reserved.

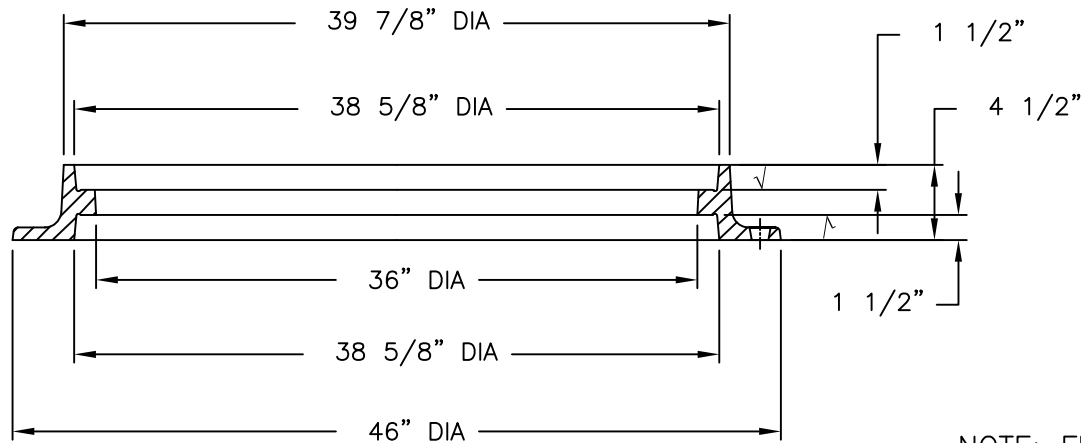
Contact

800 626 4653
ejco.com

1581 Frame



(4) 1" DIA HOLES ON
43 1/2"
DIA BOLT CIRCLE.



FRAME SECTION

NOTE: FRAME IS REVERSIBLE.

Product Number

00158110

Design Features

- Materials
 - Gray Iron (CL35B)
- Design Load
 - Heavy Duty
- Open Area

- Coating
 - Dipped
- √ Designates Machined Surface

Certification

- ASTM A48
-
-
- Country of Origin:USA

Drawing Revision

09/25/2003 Designer: SBB
03/21/2012 Revised By: SDC

Disclaimer

Weights (lbs./kg) dimensions (inches/mm) and drawings provided for your guidance. We reserve the right to modify specifications without prior notice.

CONFIDENTIAL: This drawing is the property of EJ GROUP, Inc., and embodies confidential information, registered marks, patents, trade secret information, and/or know how that is the property of EJ GROUP, Inc. Copyright © 2011 EJ GROUP, Inc. All rights reserved.

Contact

800 626 4653
ejco.com