

PRODUCT NUMBER

**00131024**

CATALOG NUMBER

**1310A**

**MANHOLE COVER**

LOAD RATING

**HEAVY DUTY**

COATING

**UNDIPPED**

MATERIAL SPECIFICATION

COVER - GRAY IRON  
ASTM A48 CL35B

OPEN AREA  
N/A

√ DESIGNATES MACHINED  
SURFACE

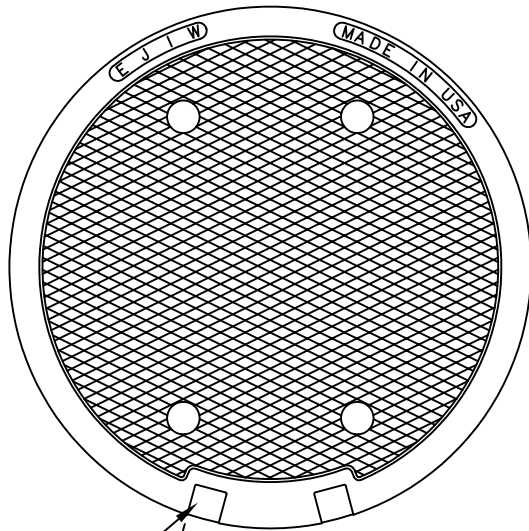
DRAWN  
DEW

DATE  
09/27/04

LAST REVISED  
GAD

DATE  
05/18/09

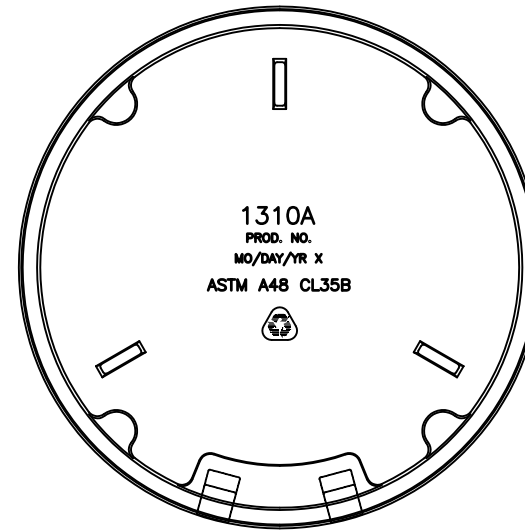
REFERENCE INFORMATION



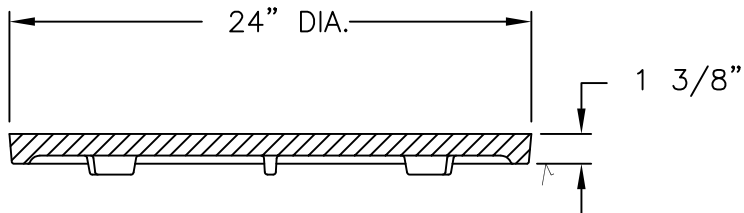
(2) CLOSED  
PICKHOLES

1 1/2"

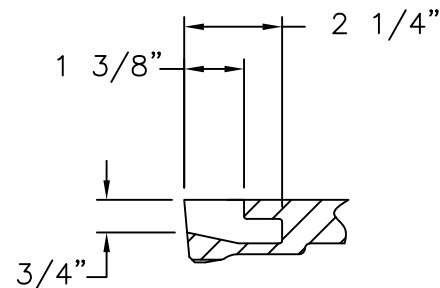
PLAN VIEW



BOTTOM VIEW



SECTION VIEW



PICKHOLE DETAIL